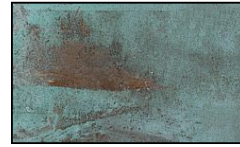


1 Louver Brick Light Integrated LED Stamped Brass 12v Step & Brick Landscape Light

Finish Options



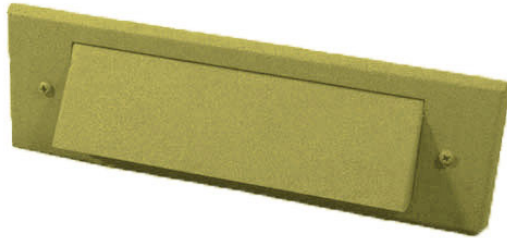
Brass



Acid Verde



Acid Rust



Product Description

CONSTRUCTION: Stamped brass step/brick light with stamped stainless steel surface mounting bracket - no back box required.

LENS: Standard white acrylic; creates warm 2700K incandescent like color

GASKET: Black neosponge closed cell; .190" thickness

LIGHT SOURCE: 12v, 8w integrated LED flat panel with external driver, warm white 3000K

LIFETIME RATING: 50,000 hours

SOCKET: None

DRIVER: 8w output, 12v AC input. Maximum distance from fixture is 18 feet. For use with magnetic transformers only

VOLTAGE RANGE: 9 to 18 volts. Optimum operating range of 10 to 15 volts for consistent performance and brightness.

WIRING: Red () and Black(-) 18 gauge zip cord from LED panel. Connects to external driver Red () and Black(-) 18 gauge zip cord. Additional 6' 18/2 zip cord supplied for wiring external driver to main cable.

MOUNTING: Stainless Steel surface mount bracket; four screws and wall anchors provided; Face plate attaches to bracket with two provided screws

CAUTION: MUST BE POWERED BY LOW VOLTAGE AC MAGNETIC TRANSFORMER ONLY

GRAND LIGHT

Lighting & Design Since 1929

104 Day St. Seymour, CT 06483
PH: 1-800-922-1469 Fax: 203-785-1184
Web: GrandLight.com

1 Louver Brick Light Integrated LED Stamped Brass 12v Step & Brick Landscape Light

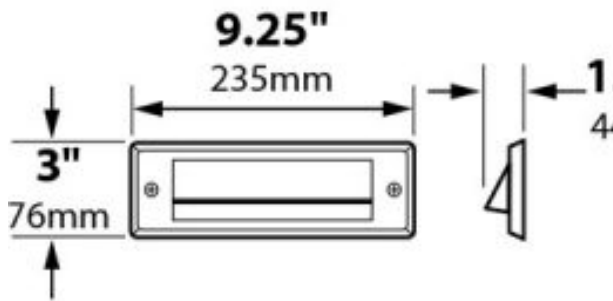
#126771 - Acid Rust

#126772 - Acid Verde

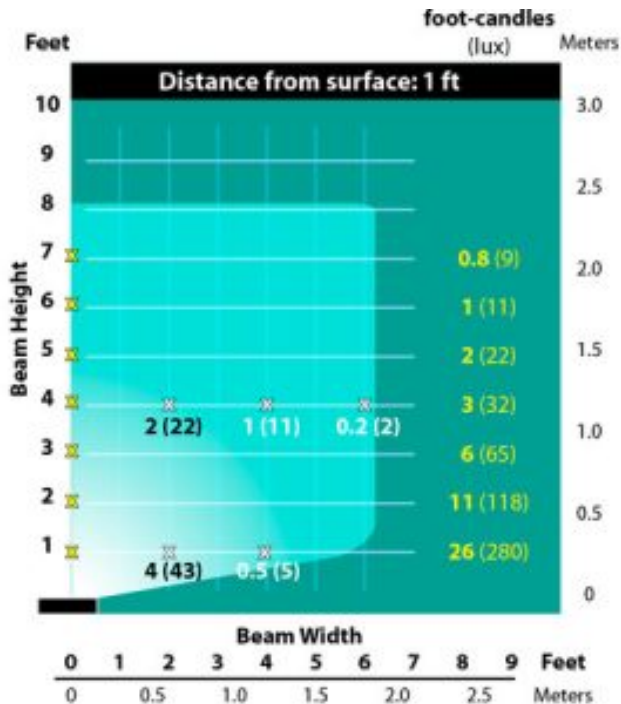
#126770 - Brass

1 Louver Brick Light Integrated LED Stamped Brass 12v Step & Brick Landscape Light

Line Drawing



Photometrics



GRAND LIGHT

Lighting & Design Since 1929

104 Day St. Seymour, CT 06483
 PH: 1-800-922-1469 Fax: 203-785-1184
 Web: GrandLight.com

1 Louver Brick Light Integrated LED Stamped Brass 12v Step & Brick Landscape Light

#126771 - Acid Rust
 #126770 - Brass

#126772 - Acid Verde