

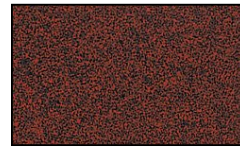
1 Louver Step Light Incandescent Cast Aluminum 120v Step & Brick Landscape Light



Finish Options



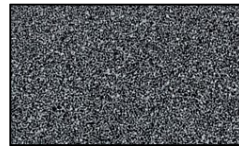
Black Texture



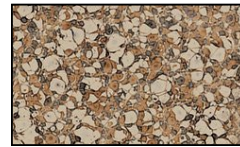
Rust



Weathered Brown



Weathered Iron



Camel Tone

Product Description

CONSTRUCTION: Cast aluminum face plate with a cast aluminum powder coated high reflective white back box

LENS: Tempered opal flat glass

GASKET: Black neosponge closed cell; .190" thickness

LAMP SUPPLIED:NONE

SOCKET: Double contact bayonet, brass nickel plated lamp socket screw shell (Ba15d) with 200°C silicone lead wires or high temp ceramic medium base.

WIRING: Standard 120v black, white and ground

GRAND LIGHT

Lighting & Design Since 1929

104 Day St. Seymour, CT 06483
PH: 1-800-922-1469 Fax: 203-785-1184
Web: GrandLight.com

1 Louver Step Light Incandescent Cast Aluminum 120v Step & Brick Landscape Light

#23601 - Camel Tone

#23599 - Antique Verde

#23602 - Rust

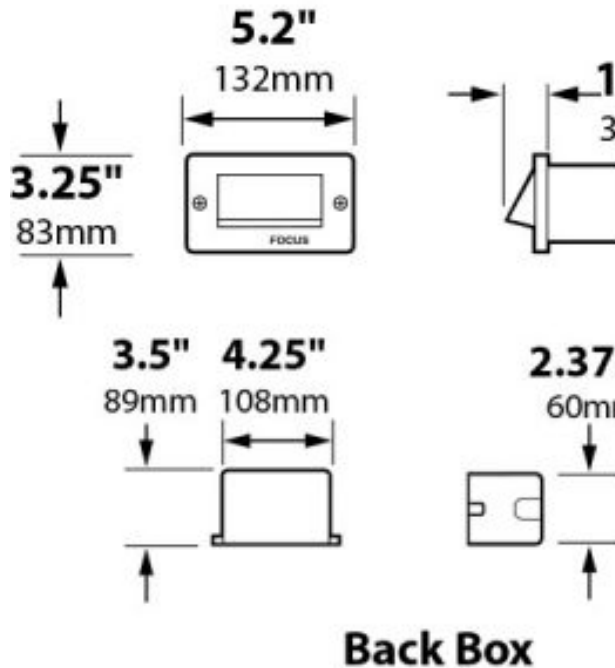
#49759 - Weathered Iron

#23600 - Weathered Brown

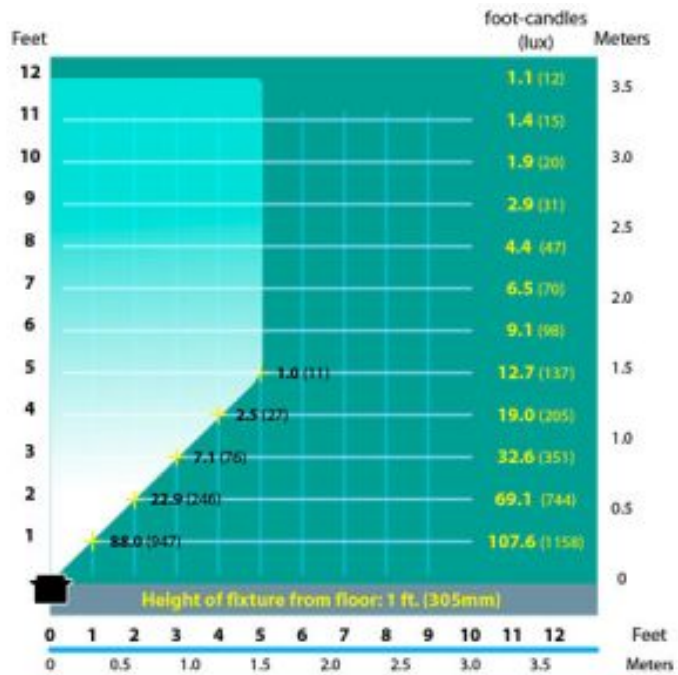
#23598 - Black Texture

1 Louver Step Light Incandescent Cast Aluminum 120v Step & Brick Landscape Light

Line Drawing



Photometrics



GRAND LIGHT

Lighting & Design Since 1929

104 Day St. Seymour, CT 06483
 PH: 1-800-922-1469 Fax: 203-785-1184
 Web: GrandLight.com

1 Louver Step Light Incandescent Cast Aluminum 120v Step & Brick Landscape Light

- #23601 - Camel Tone
- #23599 - Antique Verde
- #23602 - Rust
- #49759 - Weathered Iron
- #23600 - Weathered Brown
- #23598 - Black Texture