

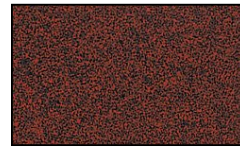
1 Louver Step Light Incandescent Cast Aluminum 12v Step & Brick Landscape Light



Finish Options



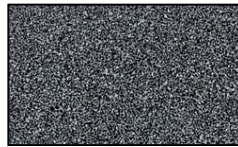
Black Texture



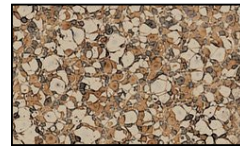
Rust



Weathered Brown



Weathered Iron



Camel Tone

Product Description

CONSTRUCTION: Heavy duty stamped aluminum face plate and heavy duty stamped galvanized steel powder coated high reflective white back box

LENS: High impact white acrylic

GASKET: Black neosponge closed cell; .190" thickness

LAMP SUPPLIED: NONE.)

SOCKET: Single contact bayonet, brass nickel plated lamp socket screw shell with 200°C silicone lead wires

WIRING: Black 3 foot 18/2 zip cord

GRAND LIGHT

Lighting & Design Since 1929

104 Day St. Seymour, CT 06483
PH: 1-800-922-1469 Fax: 203-785-1184
Web: GrandLight.com

1 Louver Step Light Incandescent Cast Aluminum 12v Step & Brick Landscape Light

#126732 - Camel Tone

#126731 - Antique Verde

#57389 - Rust

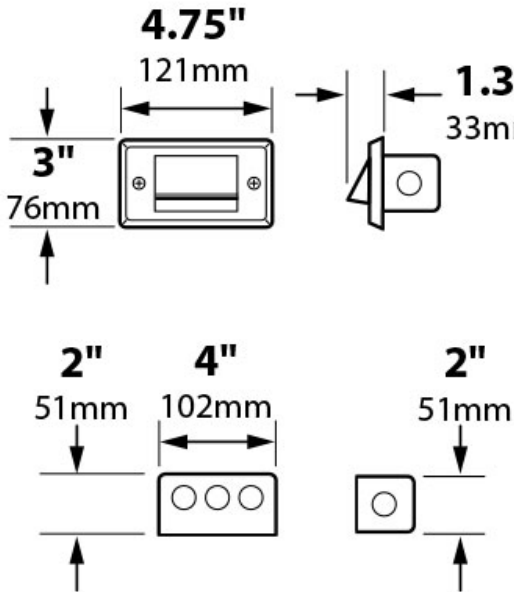
#57391 - Weathered Iron

#126733 - Weathered Brown

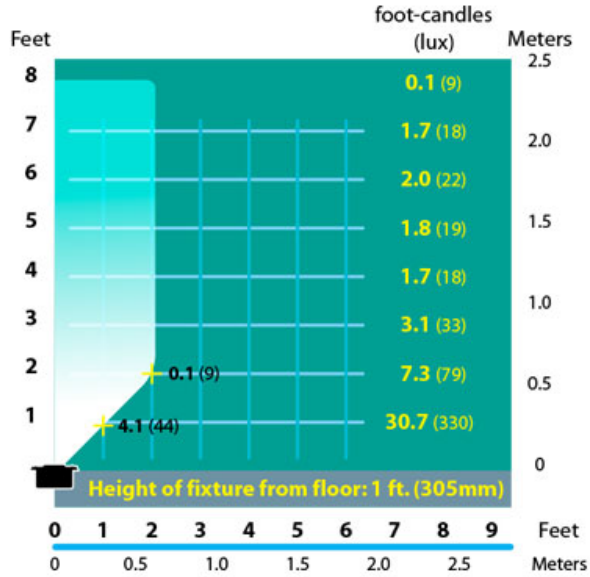
#57386 - Black Texture

1 Louver Step Light Incandescent Cast Aluminum 12v Step & Brick Landscape Light

Line Drawing



Photometrics



GRAND LIGHT

Lighting & Design Since 1929

104 Day St. Seymour, CT 06483
 PH: 1-800-922-1469 Fax: 203-785-1184
 Web: GrandLight.com

1 Louver Step Light Incandescent Cast Aluminum 12v Step & Brick Landscape Light

- #126732 - Camel Tone
- #126731 - Antique Verde
- #57389 - Rust
- #57391 - Weathered Iron
- #126733 - Weathered Brown
- #57386 - Black Texture