

Angle Cut Up/Down Light Wall Mount Solid Brass 12v Specialty Landscape Light



Finish Options



Brass



Acid Verde



Acid Rust

Bulb Options



LED



Incandescent

Product Description

CONSTRUCTION: Extruded brass angle cut cylinder with matching cast brass canopy

LENS: None

CANOPY GASKET: Black neosponge closed cell .190" thickness

LAMP SUPPLIED: 18w S8 #1141; 1200 hours average rating (25w max.) or 2.2w 50,000 hours average rating OMNI-2 LED

SOCKET: Single contact bayonet, brass nickel plated lamp socket screw shell

WIRING: Black 3 foot 18/2 zip cord from base of fixture

MOUNTING: Canopy included with 3 stainless steel #2 Phillips, flat head, wood screws

GRAND LIGHT
Lighting & Design Since 1929

104 Day St. Seymour, CT 06483
PH: 1-800-922-1469 Fax: 203-785-1184
Web: GrandLight.com

Angle Cut Up/Down Light Wall Mount Solid Brass 12v Specialty Landscape Light

#127331 - Brass/Incandescent

#49838 - Acid Rust/Incandescent

#128415- - Acid Verde/LED

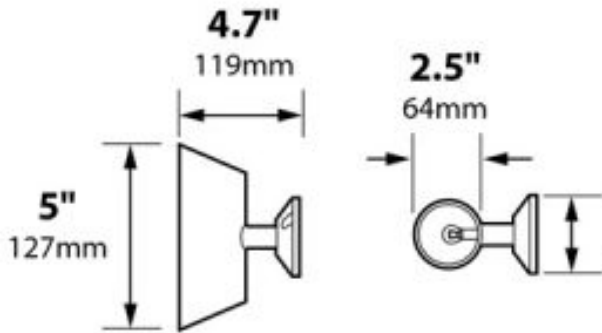
#49837 - Acid Verde/Incandescent

#128414- - Acid Rust/LED

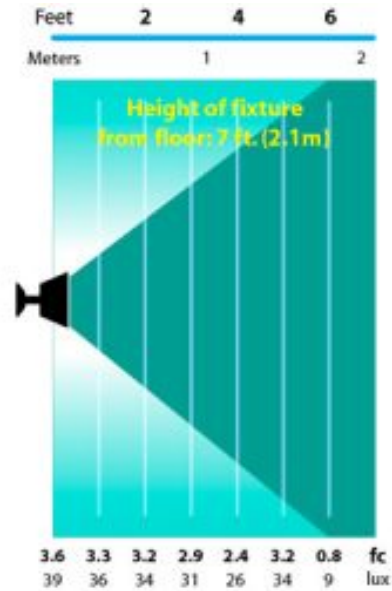
#128413- - Brass/LED

Angle Cut Up/Down Light Wall Mount Solid Brass 12v Specialty Landscape Light

Line Drawing



Photometrics



Light Distribution and Photometrics
6 ft. (1.8m) radius

GRAND LIGHT

Lighting & Design Since 1929

104 Day St. Seymour, CT 06483
PH: 1-800-922-1469 Fax: 203-785-1184
Web: GrandLight.com

Angle Cut Up/Down Light Wall Mount Solid Brass 12v Specialty Landscape Light

#127331 - Brass/Incandescent #49837 - Acid Verde/Incandescent
#49838 - Acid Rust/Incandescent #128414 - Acid Rust/LED
#128415 - Acid Verde/LED #128413 - Brass/LED