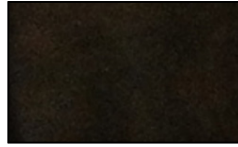


Halogen Low Voltage 7 Light Contemporary Linear Chandelier



Finish Options



Old Bronze



Satin Nickel

Glass Options



Satin White Large



Tornado



Salzburg



B50



Sunset



Hammered Silver



Hammered Gold

Product Description

The height of this low-voltage pendant is easily adjusted with the hand-polished counter-weight. Seven 20-Watt Halostar bulbs by Osram and hand-blown glass provide soft, even lighting. This fixture utilizes an electronic, line-voltage (120 V input) to low-voltage (12 V output) transformer by Ligttech. If you are planning to use a dimmer with this fixture, we recommend using a Lutron ELV (electronic low-voltage) style dimmer. This fixture includes a 175-Watt transformer, allowing for a 20-Watt maximum per bulb.

GRAND LIGHT

Lighting & Design Since 1929

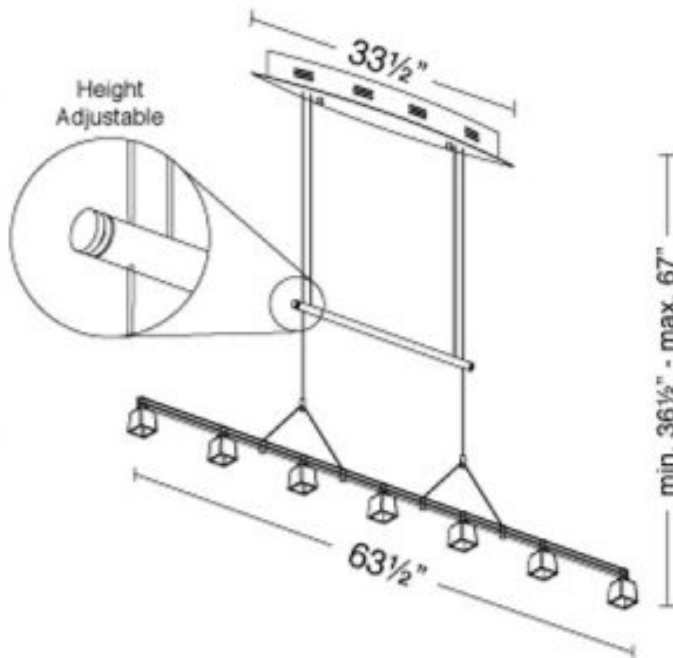
104 Day St. Seymour, CT 06483
PH: 1-800-922-1469 Fax: 203-785-1184
Web: GrandLight.com

Halogen Low Voltage 7 Light Contemporary Linear Chandelier

- | | |
|--------------------------------------|--|
| #188666 - Old Bronze/Satin White | #188667 - Old Bronze/Tornado |
| #188675 - Satin Nickel/Satin White | #188676 - Satin Nickel/Tornado |
| #188678 - Satin Nickel/Hammered Gold | #188679 - Satin Nickel/Hammered Silver |

Halogen Low Voltage 7 Light Contemporary Linear Chandelier

Line Drawing



GRAND LIGHT

Lighting & Design Since 1929

104 Day St. Seymour, CT 06483
PH: 1-800-922-1469 Fax: 203-785-1184
Web: GrandLight.com

Halogen Low Voltage 7 Light Contemporary Linear Chandelier

#188666 - Old Bronze/Satin White	#188667 - Old Bronze/Toronado
#188675 - Satin Nickel/Satin White	#188676 - Satin Nickel/Toronado
#188678 - Satin Nickel/Hammered Gold	#188679 - Satin Nickel/Hammered Silver