

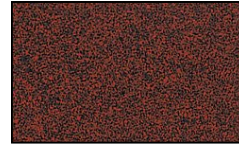
# Hanging Bell Light Aluminum 12v Specialty Landscape Light



## Finish Options



Black Texture



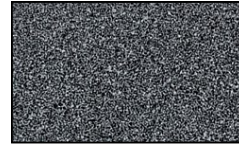
Rust



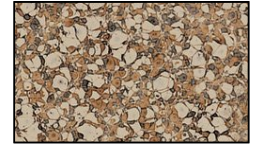
Weathered Brown



Antique Verde



Weathered Iron



Camel Tone

## Bulb Options



LED



Incandescent

## Product Description

**CONSTRUCTION:** Spun aluminum hanging bell on 18" long baby oval brass chain and cast brass hoop

**LENS:** None

**LAMP SUPPLIED:** 18 watt S8 #1141; 1200 hours average rating (25w max) or 2.2w 50,000 hours average rating OMNI-2 LED

**SOCKET:** Single contact bayonet, brass nickel plated lamp socket screw shell (Ba15s)

**WIRING:** Black 2 foot 18/2 zip cord from base of fixture

**MOUNTING:** Surface mount mini junction box and hardware

**GRAND LIGHT**  
*Lighting & Design Since 1929*

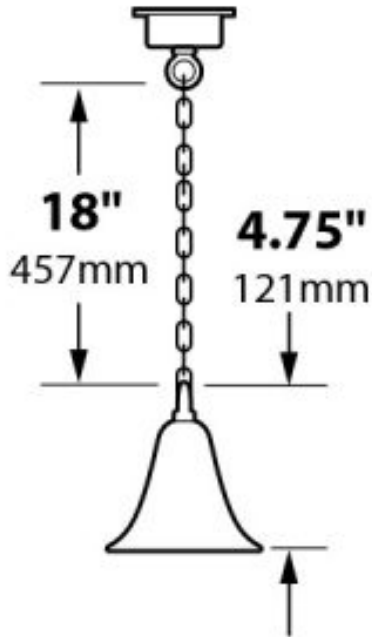
104 Day St. Seymour, CT 06483  
PH: 1-800-922-1469 Fax: 203-785-1184  
Web: GrandLight.com

### Hanging Bell Light Aluminum 12v Specialty Landscape Light

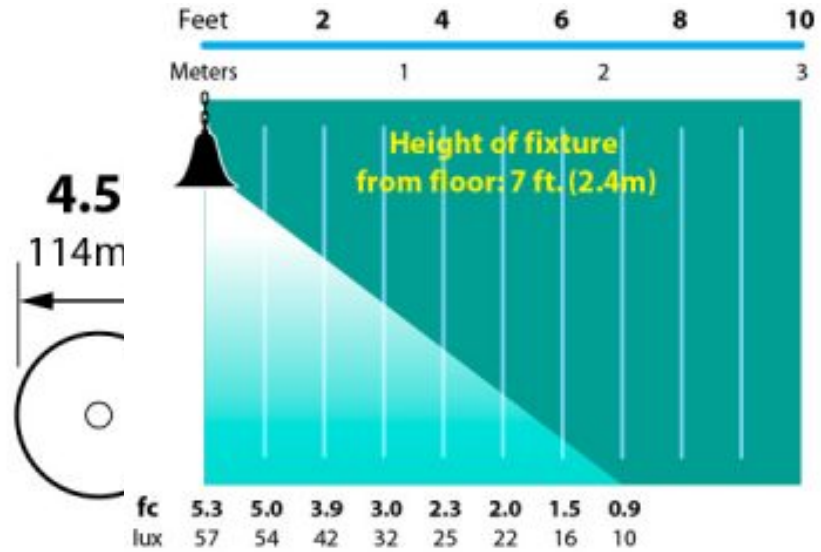
#127403 - Camel Tone/Incandescent #127405 - Weathered Iron/Incandescent  
#127402 - Antique Verde/Incandescent #127406 - Weathered Brown/Incandescent

# Hanging Bell Light Aluminum 12v Specialty Landscape Light

## Line Drawing



## Photometrics



Half Spread Photometrics  
14 ft. (4.3m) diameter

**GRAND LIGHT**  
Lighting & Design Since 1929

104 Day St. Seymour, CT 06483  
PH: 1-800-922-1469 Fax: 203-785-1184  
Web: GrandLight.com

### Hanging Bell Light Aluminum 12v Specialty Landscape Light

#127403 - Camel Tone/Incandescent #127405 - Weathered Iron/Incandescent  
#127402 - Antique #127406 - Weathered Brown/Incandescent  
Verde/Incandescent