

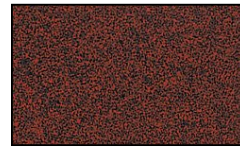
Hanging Cylinder Light Aluminum 12v Specialty Landscape Light



Finish Options



Black Texture



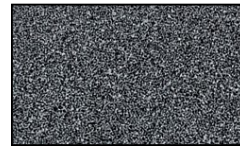
Rust



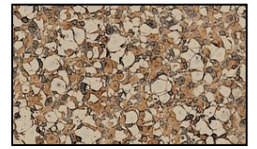
Weathered Brown



Antique Verde



Weathered Iron



Camel Tone

Bulb Options



LED



Incandescent

Product Description

CONSTRUCTION: Extruded aluminum hanging cylinder on 18" long baby oval brass chain and cast brass hoop with matching aluminum top

LENS: None

LAMP SUPPLIED: 18w S8 #1141; 1200 hours average rating (25w max) or 2.2w 50,000 hours average rating OMNI-2 LED

SOCKET: Single contact bayonet, brass nickel plated lamp socket screw shell

WIRING: Black 2 foot 18/2 zip cord from base of fixture

MOUNTING: Surface mount mini junction box and hardware

GRAND LIGHT

Lighting & Design Since 1929

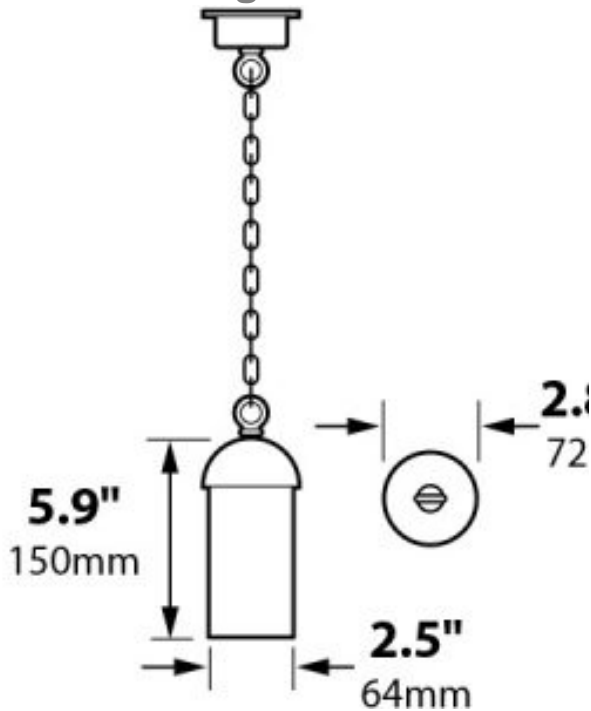
104 Day St. Seymour, CT 06483
PH: 1-800-922-1469 Fax: 203-785-1184
Web: GrandLight.com

Hanging Cylinder Light Aluminum 12v Specialty Landscape Light

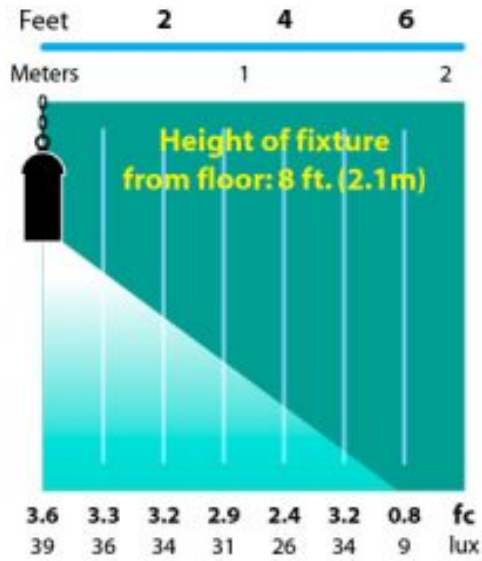
#127474 - Camel Tone/Incandescent	#127476 - Weathered Iron/Incandescent
#127473 - Antique Verde/Incandescent	#127477 - Weathered Brown/Incandescent

Hanging Cylinder Light Aluminum 12v Specialty Landscape Light

Line Drawing



Photometrics



Half Spread Photometrics
12 ft. (3.7m) diameter

GRAND LIGHT

Lighting & Design Since 1929

104 Day St. Seymour, CT 06483
PH: 1-800-922-1469 Fax: 203-785-1184
Web: GrandLight.com

Hanging Cylinder Light Aluminum 12v Specialty Landscape Light

#127474 - Camel Tone/Incandescent #127476 - Weathered

Iron/Incandescent

#127473 - Antique
Verde/Incandescent

#127477 - Weathered
Brown/Incandescent