

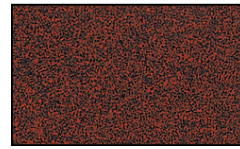
# Hanging Square Light 18" Chain Aluminum 12v Specialty Landscape Light



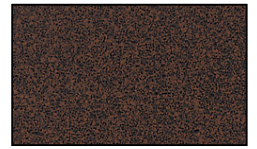
## Finish Options



Black Texture



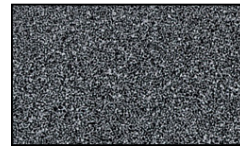
Rust



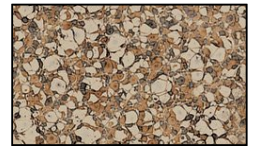
Weathered Brown



Antique Verde



Weathered Iron



Camel Tone

## Bulb Options



LED



Incandescent

## Product Description

**CONSTRUCTION:** Extruded 2.25" square aluminum hanging fixture with matching aluminum 18" chain

**LENS:** High impact clear tempered convex glass

**GASKET:** High temperature black silicone

**LAMP SUPPLIED:** 20w MR16 FL(BAB) 5000 hours average rating (50w max) or 4w ARROW LED 50,000 average rating

**SOCKET:** High temperature ceramic GU5.3 bi-pin with 250°C silicone lead wires

**WIRING:** Black 3 foot 18/2 zip cord from base of fixture

**MOUNTING:** Canopy

# GRAND LIGHT

*Lighting & Design Since 1929*

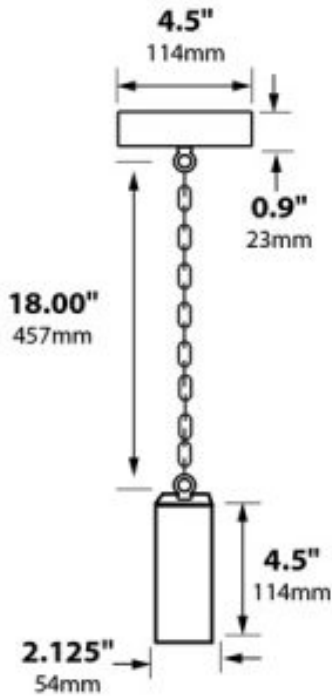
104 Day St. Seymour, CT 06483  
PH: 1-800-922-1469 Fax: 203-785-1184  
Web: GrandLight.com

## Hanging Square Light 18" Chain Aluminum 12v Specialty Landscape Light

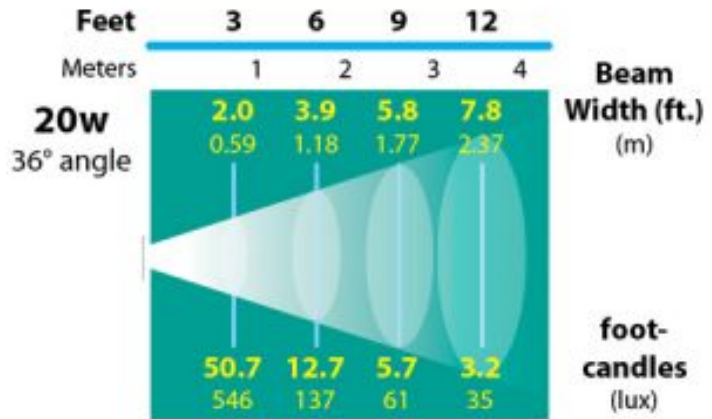
#127567 - Camel Tone/Incandescent #127569 - Weathered Iron/Incandescent  
#127566 - Antique Verde/Incandescent #127570 - Weathered Brown/Incandescent

# Hanging Square Light 18" Chain Aluminum 12v Specialty Landscape Light

## Line Drawing



## Photometrics



**GRAND LIGHT**  
Lighting & Design Since 1929

104 Day St. Seymour, CT 06483  
PH: 1-800-922-1469 Fax: 203-785-1184  
Web: GrandLight.com

Hanging Square Light 18" Chain Aluminum 12v Specialty Landscape Light

#127567 - Camel Tone/Incandescent #127569 - Weathered Iron/Incandescent  
#127566 - Antique #127570 - Weathered Brown/Incandescent  
#127568 - Verde/Incandescent