

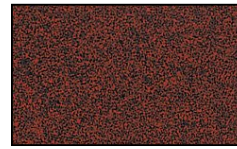
Hanging Square Light w/ 12" Pendant Cast Aluminum 12v Specialty Landscape Light



Finish Options



Black Texture



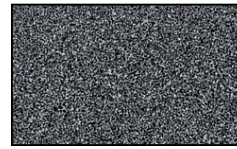
Rust



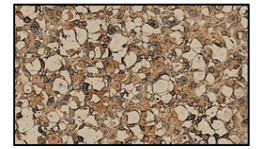
Weathered Brown



Antique Verde



Weathered Iron



Camel Tone

Bulb Options



LED



Incandescent

Product Description

CONSTRUCTION: Extruded 2.25" square aluminum fixture with matching aluminum 12" pendant

LENS: High impact clear tempered convex glass

GASKET: High temperature black silicone

LAMP SUPPLIED: 20w MR16 FL(BAB) 5000 hours average rating (50w max) or 4w ARROW LED 50,000 average rating

SOCKET: High temperature ceramic GU5.3 bi-pin with 250°C silicone lead wires

WIRING: Black 3 foot 18/2 zip cord from base of fixture

MOUNTING: Canopy

GRAND LIGHT

Lighting & Design Since 1929

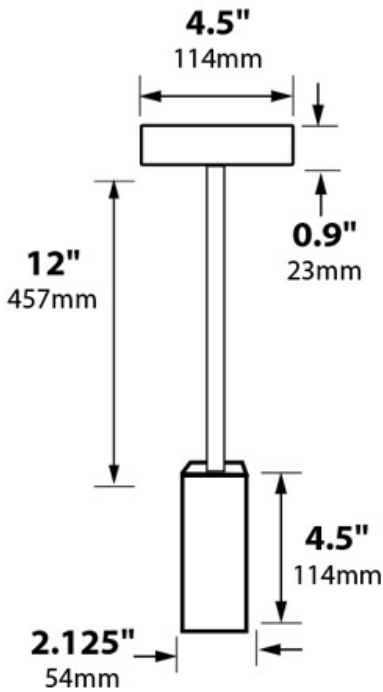
104 Day St. Seymour, CT 06483
PH: 1-800-922-1469 Fax: 203-785-1184
Web: GrandLight.com

Hanging Square Light w/ 12" Pendant Cast Aluminum 12v Specialty Landscape Light

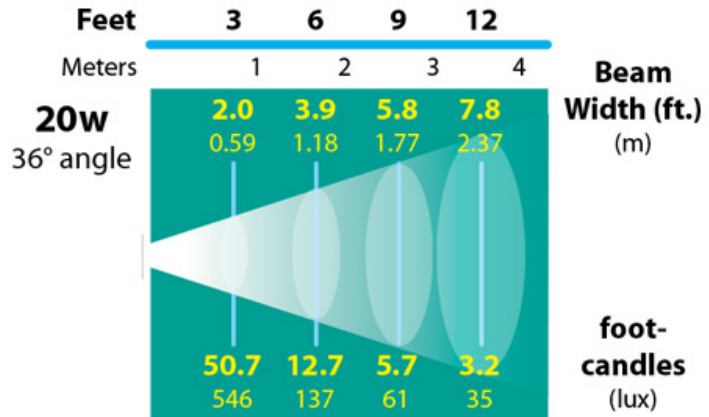
#127585 - Camel Tone/Incandescent #127587 - Weathered
Iron/Incandescent
#127584 - Antique
Verde/Incandescent #127588 - Weathered
Brown/Incandescent

Hanging Square Light w/ 12" Pendant Cast Aluminum 12v Specialty Landscape Light

Line Drawing



Photometrics



GRAND LIGHT
Lighting & Design Since 1929

104 Day St. Seymour, CT 06483
PH: 1-800-922-1469 Fax: 203-785-1184
Web: GrandLight.com

Hanging Square Light w/ 12" Pendant Cast Aluminum 12v
Specialty Landscape Light

#127585 - Camel Tone/Incandescent #127587 - Weathered
Iron/Incandescent
#127584 - Antique #127588 - Weathered
Verde/Incandescent Brown/Incandescent