

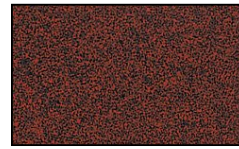
Hanging Tulip Wall Mount Cast Aluminum 12v Specialty Landscape Light



Finish Options



Black Texture



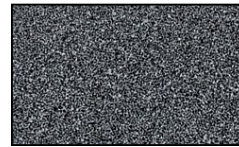
Rust



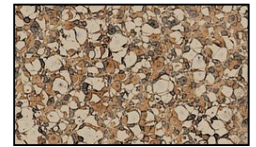
Weathered Brown



Antique Verde



Weathered Iron



Camel Tone

Bulb Options



LED



Incandescent

Product Description

CONSTRUCTION: Cast aluminum hanging tulip on wall mount with matching canopy and extruded aluminum arm

LENS: None

LAMP SUPPLIED: 18w S8 #1141; 1200 hours average rating (25w max) or 2.2w 50,000 hours average rating OMNI-2 LED

SOCKET: Single contact bayonet, brass nickel plated lamp socket screw shell

WIRING: Black 5 foot 18/2 zip cord from base of fixture

MOUNTING: Back plate hardware and screws supplied

GRAND LIGHT

Lighting & Design Since 1929

104 Day St. Seymour, CT 06483
PH: 1-800-922-1469 Fax: 203-785-1184
Web: GrandLight.com

Hanging Tulip Wall Mount Cast Aluminum 12v Specialty Landscape Light

#127300 - Black

#127301 - Rust/Incandescent

#127302 - Weathered Brown/Incandescent

#127303 - Antique Verde/Incandescent

#127304 - Weathered Iron/Incandescent

#127305 - Camel Tone/Incandescent

#127306 - Black/LED

#127307 - Rust/LED

#127308 - Weathered Brown/LED

#127309 - Antique Verde/LED

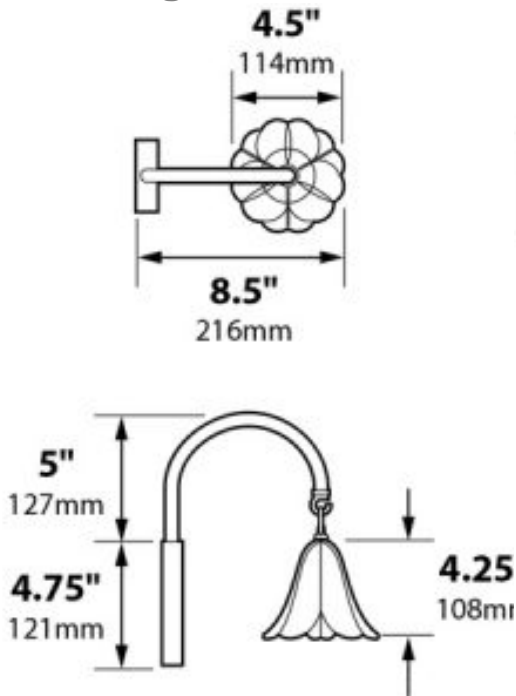
#127310 - Weathered Iron/LED

#127311 - Camel Tone/LED

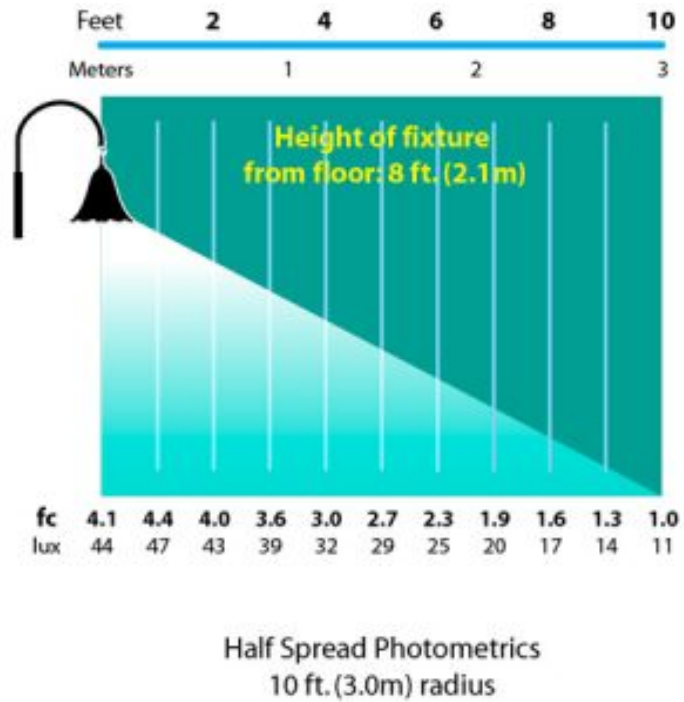
...and more! Contact us for more information.

Hanging Tulip Wall Mount Cast Aluminum 12v Specialty Landscape Light

Line Drawing



Photometrics



GRAND LIGHT

Lighting & Design Since 1929

104 Day St. Seymour, CT 06483
PH: 1-800-922-1469 Fax: 203-785-1184
Web: GrandLight.com

Hanging Tulip Wall Mount Cast Aluminum 12v Specialty
Landscape Light

#127300 - Black
#127301 - Bronze
Brown/Incandescent
#127304 - Weathered
Iron/Incandescent

#127303 - Rust/Incandescent
#127301 - Antique
Verde/Incandescent
#127302 - Camel Tone/Incandescent

...and more! Contact us for more information.
Page 2 of 2