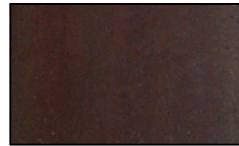


Modular Industrial Medium Contemporary Outdoor Wall Light



Finish Options



Bronze



Stainless Steel

Product Description

Wall mounted specification grade indoor/outdoor luminaire. IP67 rated. Inner assembly constructed of extruded aluminum with a tempered glass cover. A double coat of epoxy primer and polyester powder-coating mean durability even in harsh outdoor conditions. The outer decorative cover is constructed of stainless steel. The brushed steel finish includes silver luminaire and has been electrophoretically coated which not only enhances the beauty of the finish, but also increases surface durability and helps to protect against damaging environmental conditions. The bronze finish includes bronze luminaire and utilizes a polyester powder coat paint to help protect against damaging environmental conditions. Mounts vertically only. (2) 24 watt mini bi-pin base T5 high output linear fluorescent lamps (lamps included). Emergency ballast option also available. Call for other lamp options.

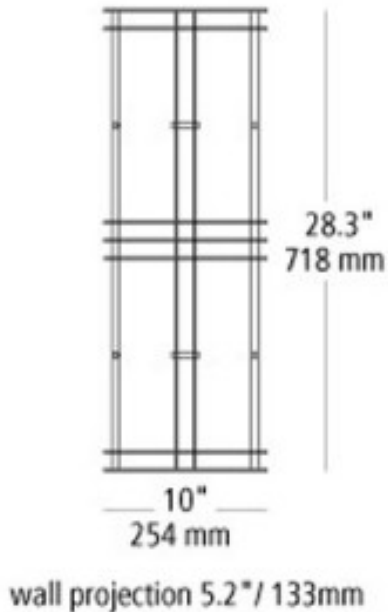
GRAND LIGHT
Lighting & Design Since 1929

104 Day St. Seymour, CT 06483
PH: 1-800-922-1469 Fax: 203-785-1184
Web: GrandLight.com

Modular Industrial Medium Contemporary Outdoor Wall Light
#64505 - Stainless Steel #64504 - Bronze

Modular Industrial Medium Contemporary Outdoor Wall Light

Line Drawing



GRAND LIGHT

Lighting & Design Since 1929

104 Day St. Seymour, CT 06483
PH: 1-800-922-1469 Fax: 203-785-1184
Web: GrandLight.com

Modular Industrial Medium Contemporary Outdoor Wall Light

#64505 - Stainless Steel

#64504 - Bronze