

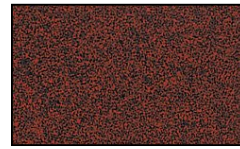
Scallop 6" Incandescent Cast Aluminum 12v Path Landscape Light



Finish Options



Black Texture



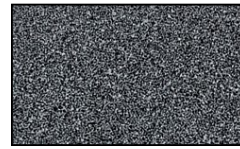
Rust



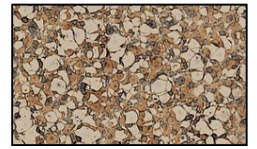
Weathered Brown



Antique Verde



Weathered Iron



Camel Tone

Product Description

CONSTRUCTION: Cast aluminum 6" Scallop hat; matching extruded aluminum stanchion
LAMP SUPPLIED: 18w S8 #1141; 1200 hours average rating (25w max.)
SOCKET: Single contact bayonet, brass nickel plated lamp socket screw shell with 200°C silicone lead wires
WIRING: Black 3 foot 18/2 zip cord from base of fixture
MOUNTING: Black 9" ABS stake, tapped 1/2" NPS

GRAND LIGHT

Lighting & Design Since 1929

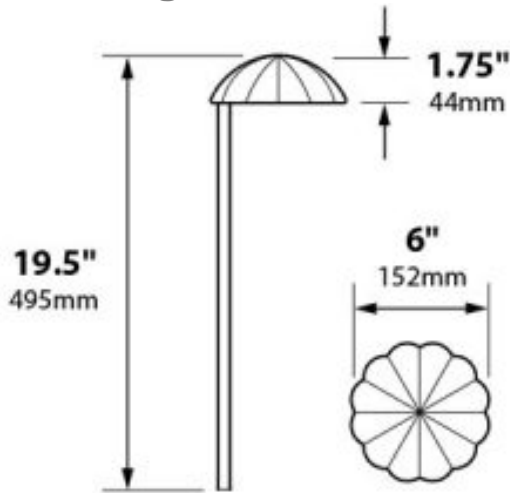
104 Day St. Seymour, CT 06483
PH: 1-800-922-1469 Fax: 203-785-1184
Web: GrandLight.com

Scallop 6" Incandescent Cast Aluminum 12v Path Landscape Light

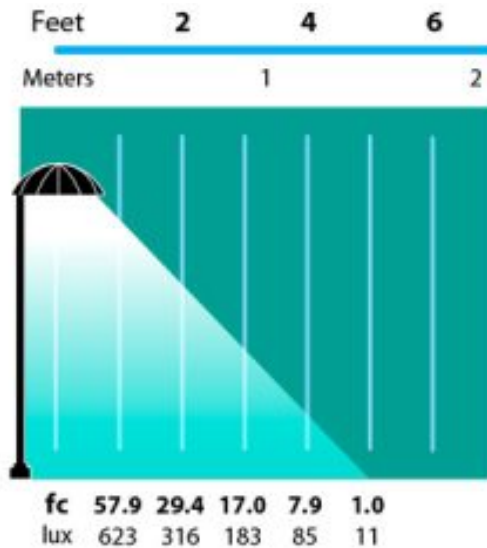
#49125 - Black Texture	#49128 - Rust
#49129 - Weathered Brown	#49126 - Antique Verde
#49130 - Weathered Iron	#49127 - Camel Tone

Scallop 6" Incandescent Cast Aluminum 12v Path Landscape Light

Line Drawing



Photometrics



Half Spread Photometrics
10 ft. (3.0m) diameter

GRAND LIGHT

Lighting & Design Since 1929

104 Day St. Seymour, CT 06483
PH: 1-800-922-1469 Fax: 203-785-1184
Web: GrandLight.com

Scallop 6" Incandescent Cast Aluminum 12v Path Landscape Light

#49125 - Black Texture #49128 - Rust
#49129 - Weathered Brown #49126 - Antique Verde
#49130 - Weathered Iron #49127 - Camel Tone