

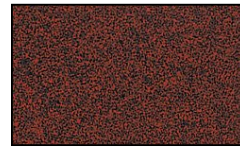
Scallop 6" Integrated LED Cast Aluminum 120v Path Landscape Light



Finish Options



Black Texture



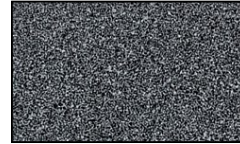
Rust



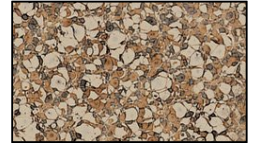
Weathered Brown



Antique Verde



Weathered Iron



Camel Tone

Product Description

CONSTRUCTION: Cast aluminum 6" Scallop hat; matching extruded aluminum stanchion
LAMP SUPPLIED: 120v, 4w, 300 lumen integrated round LED flat panel, warm white 3000K
SOCKET: Double contact bayonet base with 200°C silicone lead wires
MOUNTING: Tapped 1/2" NPS

GRAND LIGHT

Lighting & Design Since 1929

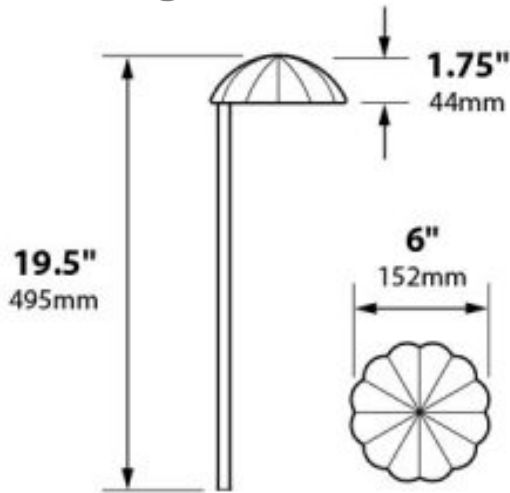
104 Day St. Seymour, CT 06483
PH: 1-800-922-1469 Fax: 203-785-1184
Web: GrandLight.com

Scallop 6" Integrated LED Cast Aluminum 120v Path Landscape Light

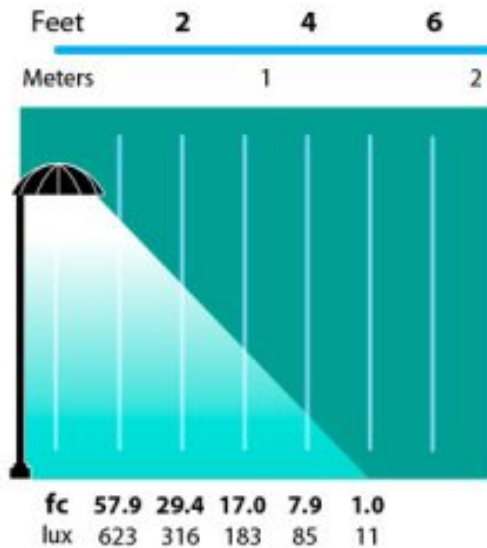
#124801 - Camel Tone	#124804 - Weathered Iron
#124802 - Weathered Brown	#124800 - Antique Verde
#124803 - Rust	#124799 - Black Texture

Scallop 6" Integrated LED Cast Aluminum 120v Path Landscape Light

Line Drawing



Photometrics



Half Spread Photometrics
10 ft. (3.0m) diameter

GRAND LIGHT

Lighting & Design Since 1929

104 Day St. Seymour, CT 06483
PH: 1-800-922-1469 Fax: 203-785-1184
Web: GrandLight.com

Scallop 6" Integrated LED Cast Aluminum 120v Path Landscape Light

#124801 - Camel Tone #124804 - Weathered Iron
#124802 - Weathered Brown #124800 - Antique Verde
#124803 - Rust #124799 - Black Texture