

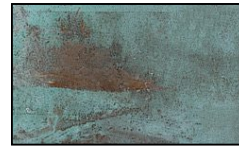
# Starfish Solid Brass 12v Underwater Landscape Light



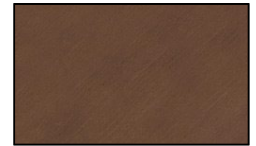
## Finish Options



Brass



Acid Verde



Acid Rust

## Bulb Options



LED



Incandescent

## Product Description

**CONSTRUCTION:** Cast brass base & starfish top; Brass nickel-plated liquid tight straight bushing

**LENS:** High impact clear tempered acrylic

**LAMP SUPPLIED:** 20w MR16 ULTRA FL(BAB); 10,000 hours average rating (50w max.) or 4w ARROW LED 50,000 average rating or 4w or 2w LED Panel; 50,000 hours average rating

**SOCKET:** High temperature ceramic GU5.3 bi-pin with 250°C silicone lead wires

**GASKET:** High temperature black silicone

**WIRING:** 15 feet 18/2 SJTOW cord

**MOUNTING:** None

# GRAND LIGHT

*Lighting & Design Since 1929*

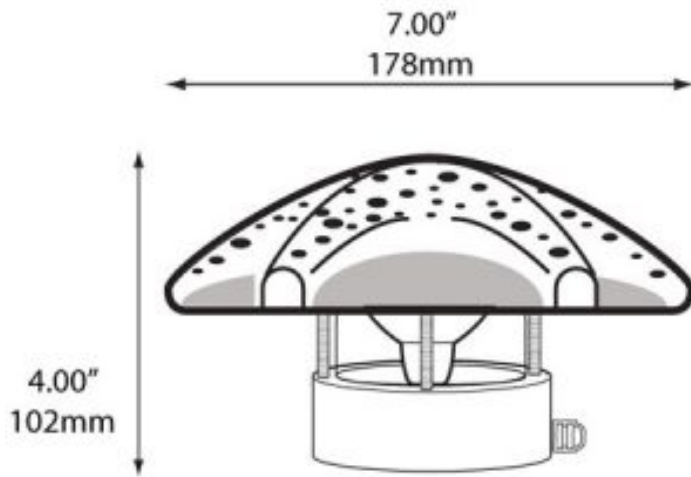
104 Day St. Seymour, CT 06483  
PH: 1-800-922-1469 Fax: 203-785-1184  
Web: GrandLight.com

## Starfish Solid Brass 12v Underwater Landscape Light

#127108 - Brass/Incandescent	#127110 - Acid Verde/Incandescent
#127109 - Acid Rust/Incandescent	#127112 - Acid Rust/LED
#127113 - Acid Verde/LED	#127111 - Brass/LED

# Starfish Solid Brass 12v Underwater Landscape Light

## Line Drawing



**GRAND LIGHT**

*Lighting & Design Since 1929*

104 Day St. Seymour, CT 06483  
PH: 1-800-922-1469 Fax: 203-785-1184  
Web: GrandLight.com

### Starfish Solid Brass 12v Underwater Landscape Light

#127108 - Brass/Incandescent	#127110 - Acid Verde/Incandescent
#127109 - Acid Rust/Incandescent	#127112- - Acid Rust/LED
#127113- - Acid Verde/LED	#127111- - Brass/LED