

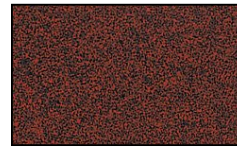
# Tulip 4.5" Integrated LED Cast Aluminum 12v Path Landscape Light



## Finish Options



Black Texture



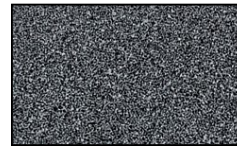
Rust



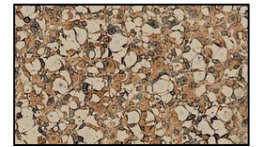
Weathered Brown



Antique Verde



Weathered Iron



Camel Tone

## Product Description

**CONSTRUCTION:** Cast aluminum Tulip; matching extruded aluminum stanchion  
**LIGHT SOURCE:** 12v, 4w, 300 lumen integrated round LED flat panel, warm white 3000K  
**LIFETIME RATING:** 50,000 Hours  
**12v EXTERNAL DRIVER:** 4w 350mA output, 12v AC input.  
Voltage range of 9 to 18 volts with optimum operating range of 10 to 15 volts for consistent performance and brightness. For use with magnetic transformers only.  
**SOCKET:** None- LED is hard wired inside fixture  
**LENS:** Clear acrylic  
**WIRING:** Black 3 foot 18/2 zip cord from base of fixture  
**MOUNTING:** Black 9" ABS stake, tapped 1/2" NPS

**GRAND LIGHT**

*Lighting & Design Since 1929*

104 Day St. Seymour, CT 06483  
PH: 1-800-922-1469 Fax: 203-785-1184  
Web: GrandLight.com

## Tulip 4.5" Integrated LED Cast Aluminum 12v Path Landscape Light

#124907 - Black Texture

#124910 - Weathered Brown

#124912 - Weathered Iron

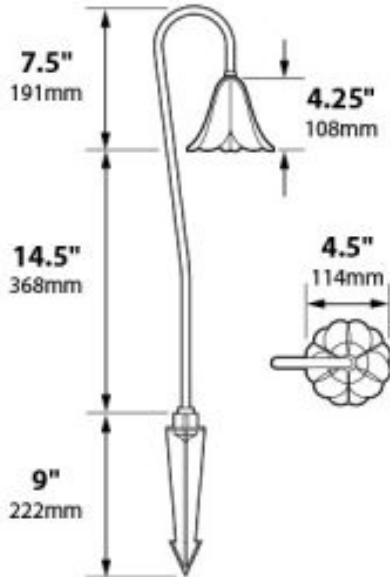
#124911 - Rust

#124908 - Antique Verde

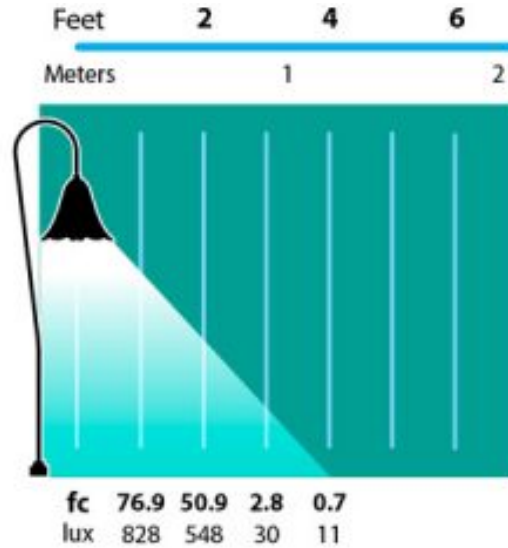
#124909 - Camel Tone

# Tulip 4.5" Integrated LED Cast Aluminum 12v Path Landscape Light

## Line Drawing



## Photometrics



Half Spread Photometrics  
8 ft. (2.4m) diameter

**GRAND LIGHT**

*Lighting & Design Since 1929*

104 Day St. Seymour, CT 06483  
PH: 1-800-922-1469 Fax: 203-785-1184  
Web: GrandLight.com

**Tulip 4.5" Integrated LED Cast Aluminum 12v Path Landscape Light**

- #124907 - Black Texture
- #124910 - Weathered Brown
- #124912 - Weathered Iron
- #124911 - Rust
- #124908 - Antique Verde
- #124909 - Camel Tone