

Tulip 4.5" Integrated LED Solid Brass 120v Path Landscape Light



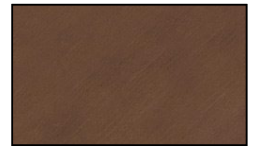
Finish Options



Brass



Acid Verde



Acid Rust



Integrated LED Flat Panel Light Source

Product Description

CONSTRUCTION: Cast brass Tulip; matching extruded brass stanchion

LIGHT SOURCE: 120v, 4w, 300 lumen integrated round LED flat panel, warm white 3000K

LIFETIME RATING: 50,000 Hours

SOCKET: None- LED is hard wired inside fixture

LENS: Clear acrylic

MOUNTING: Tapped 1/2" NPS

GRAND LIGHT
Lighting & Design Since 1929

104 Day St. Seymour, CT 06483
PH: 1-800-922-1469 Fax: 203-785-1184
Web: GrandLight.com

Tulip 4.5" Integrated LED Solid Brass 120v Path Landscape Light

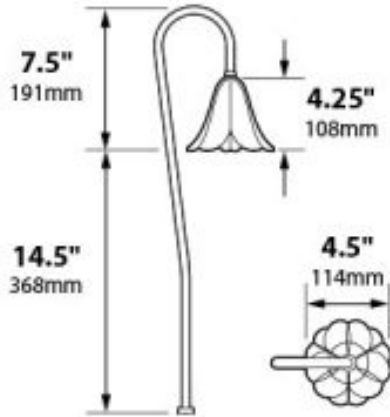
#124923 - Acid Rust

#124924 - Acid Verde

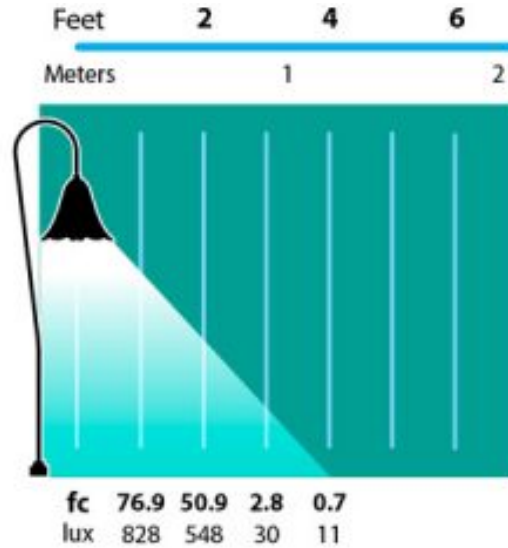
#124922 - Brass

Tulip 4.5" Integrated LED Solid Brass 120v Path Landscape Light

Line Drawing



Photometrics



Half Spread Photometrics
8 ft. (2.4m) diameter

GRAND LIGHT
Lighting & Design Since 1929

104 Day St. Seymour, CT 06483
PH: 1-800-922-1469 Fax: 203-785-1184
Web: GrandLight.com

Tulip 4.5" Integrated LED Solid Brass 120v Path Landscape Light
#124923 - Acid Rust #124924 - Acid Verde
#124922 - Brass