

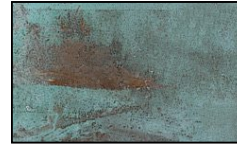
Tulip 4.5" Integrated LED Solid Brass 12v Path Landscape Light



Finish Options



Brass



Acid Verde



Acid Rust

Product Description

CONSTRUCTION: Cast brass Tulip; matching extruded brass stanchion

LIGHT SOURCE: 12v, 4w, 300 lumen integrated round LED flat panel, warm white 3000K

LIFETIME RATING: 50,000 Hours

12v EXTERNAL DRIVER: 4w 350mA output, 12v AC input.

Voltage range of 9 to 18 volts with optimum operating range of 10 to 15 volts for consistent performance and brightness. For use with magnetic transformers only.

SOCKET: None- LED is hard wired inside fixture

LENS: Clear acrylic

WIRING: Black 3 foot 18/2 zip cord from base of fixture

MOUNTING: Black 9" ABS stake, tapped 1/2" NPS

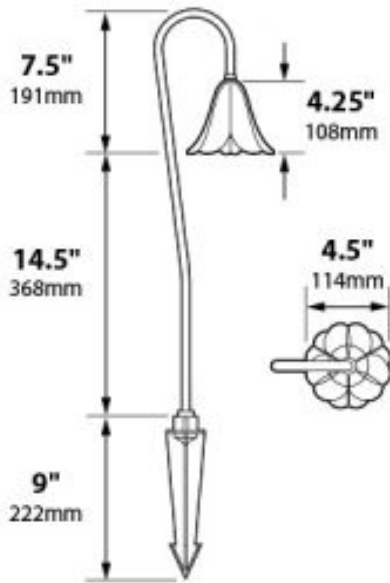
GRAND LIGHT
Lighting & Design Since 1929

104 Day St. Seymour, CT 06483
PH: 1-800-922-1469 Fax: 203-785-1184
Web: GrandLight.com

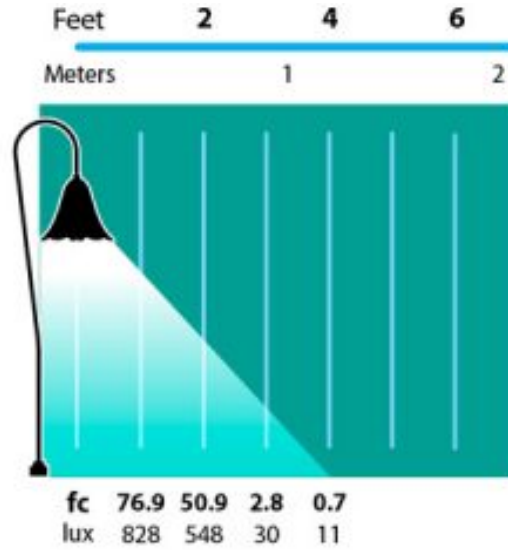
Tulip 4.5" Integrated LED Solid Brass 12v Path Landscape Light
#124913 - Brass
#124914 - Acid Rust
#124915 - Acid Verde

Tulip 4.5" Integrated LED Solid Brass 12v Path Landscape Light

Line Drawing



Photometrics



Half Spread Photometrics
8 ft. (2.4m) diameter

GRAND LIGHT
Lighting & Design Since 1929

104 Day St. Seymour, CT 06483
PH: 1-800-922-1469 Fax: 203-785-1184
Web: GrandLight.com

Tulip 4.5" Integrated LED Solid Brass 12v Path Landscape Light
#124913 - Brass #124915 - Acid Verde
#124914 - Acid Rust