

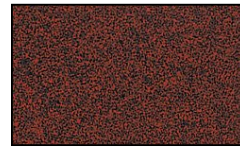
Tulip 4.5" with Leaves Incandescent Cast Aluminum 12v Path Landscape Light



Finish Options



Black Texture



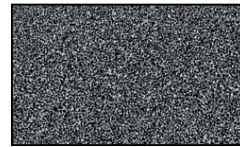
Rust



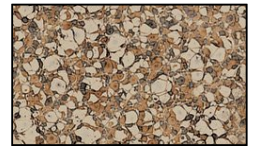
Weathered Brown



Antique Verde



Weathered Iron



Camel Tone

Product Description

CONSTRUCTION: Cast aluminum Tulip; matching extruded aluminum or brass stanchion

LAMP SUPPLIED: 18w S8 #1141; 1200 hours average rating (25w max.)

SOCKET: Single contact bayonet, brass nickel plated lamp socket screw shell with 200°C silicone lead wires

WIRING: Black 3 foot 18/2 zip cord from base of fixture

MOUNTING: Black 9" ABS stake, tapped 1/2" NPS

GRAND LIGHT

Lighting & Design Since 1929

104 Day St. Seymour, CT 06483
PH: 1-800-922-1469 Fax: 203-785-1184
Web: GrandLight.com

Tulip 4.5" with Leaves Incandescent Cast Aluminum 12v Path Landscape Light

#124-959 - Black Texture

#124-962 - Weathered Brown

#124-964 - Weathered Iron

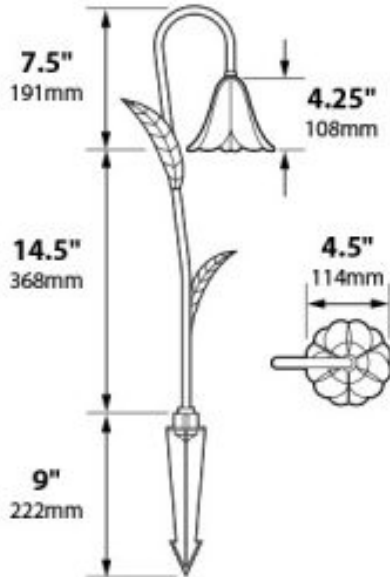
#124-963 - Rust

#124-960 - Antique Verde

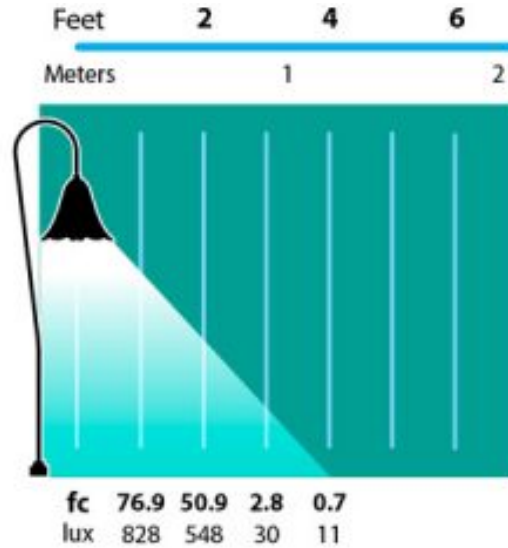
#124-961 - Camel Tone

Tulip 4.5" with Leaves Incandescent Cast Aluminum 12v Path Landscape Light

Line Drawing



Photometrics



Half Spread Photometrics
8 ft. (2.4m) diameter

GRAND LIGHT

Lighting & Design Since 1929

104 Day St. Seymour, CT 06483
PH: 1-800-922-1469 Fax: 203-785-1184
Web: GrandLight.com

Tulip 4.5" with Leaves Incandescent Cast Aluminum 12v Path Landscape Light

#124-959 - Black Texture #124-963 - Rust
#124-962 - Weathered Brown #124-960 - Antique Verde
#124-964 - Weathered Iron #124-961 - Camel Tone