

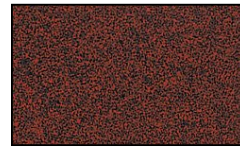
# Tulip 4.5" with Leaves Integrated LED Cast Aluminum 12v Path Landscape Light



## Finish Options



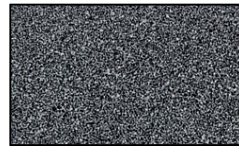
Black Texture



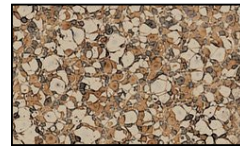
Rust



Weathered Brown



Weathered Iron



Camel Tone

## Product Description

**CONSTRUCTION:** Cast aluminum Tulip; matching extruded aluminum stanchion

**LIGHT SOURCE:** 12v, 4w, 300 lumen integrated round LED flat panel, warm white 3000K

**LIFETIME RATING:** 50,000 Hours

**12v EXTERNAL DRIVER:** 4w 350mA output, 12v AC input.

Voltage range of 9 to 18 volts with optimum operating range of 10 to 15 volts for consistent performance and brightness. For use with magnetic transformers only.

**SOCKET:** None- LED is hard wired inside fixture

**LENS:** Clear acrylic

**WIRING:** Black 3 foot 18/2 zip cord from base of fixture

**MOUNTING:** Black 9" ABS stake, tapped 1/2" NPS

# GRAND LIGHT

*Lighting & Design Since 1929*

104 Day St. Seymour, CT 06483  
PH: 1-800-922-1469 Fax: 203-785-1184  
Web: GrandLight.com

## Tulip 4.5" with Leaves Integrated LED Cast Aluminum 12v Path Landscape Light

#124941 - Black Texture

#124944 - Weathered Brown

#124946 - Weathered Iron

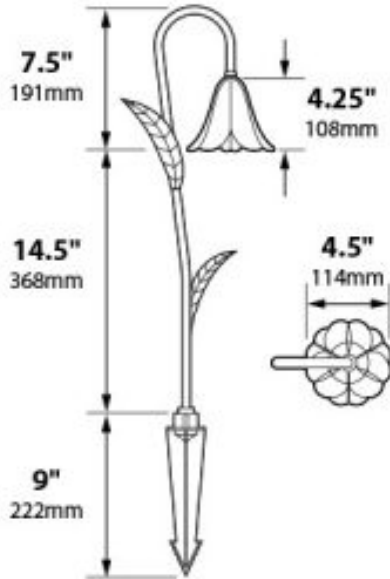
#124945 - Rust

#124942 - Antique Verde

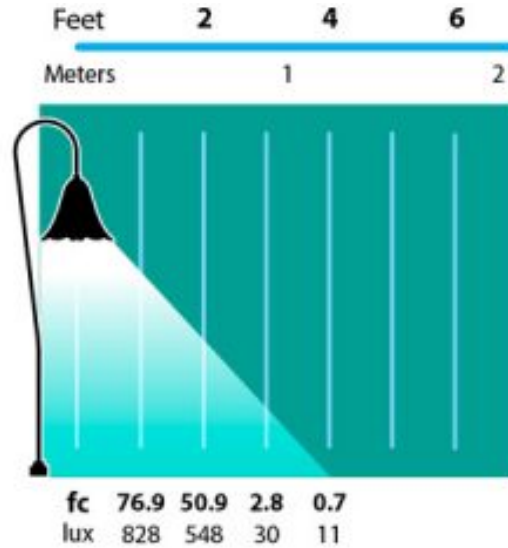
#124943 - Camel Tone

# Tulip 4.5" with Leaves Integrated LED Cast Aluminum 12v Path Landscape Light

## Line Drawing



## Photometrics



Half Spread Photometrics  
8 ft. (2.4m) diameter

**GRAND LIGHT**

*Lighting & Design Since 1929*

104 Day St. Seymour, CT 06483  
PH: 1-800-922-1469 Fax: 203-785-1184  
Web: GrandLight.com

**Tulip 4.5" with Leaves Integrated LED Cast Aluminum 12v Path Landscape Light**

#124941 - Black Texture                      #124945 - Rust  
#124944 - Weathered Brown                #124942 - Antique Verde  
#124946 - Weathered Iron                    #124943 - Camel Tone