

# Up/Down Light Wall Mount Solid Brass 12v Specialty Landscape Light



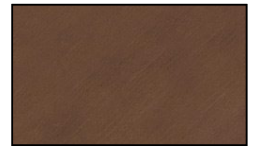
## Finish Options



Brass



Acid Verde



Acid Rust

## Bulb Options



LED



Incandescent

## Product Description

CONSTRUCTION: Brass cylinder and canopy

LENS: Clear tempered flat glass

CANOPY GASKET: Black newsponge closed cell .190" thickness

LAMP SUPPLIED: 2 x 20 watt MR16 FL(BAB) 5000 hours average rating (40w total max) or 4w ARROW LED 50,000 average rating

SOCKET: High temperature ceramic GU5.3 bi-pin with 250°C silicone lead wires

WIRING: Black and 2 White 250°C silicone lead wires

MOUNTING: Canopy included with 2 brass #2 Phillips, flat head, wood screws

**GRAND LIGHT**  
*Lighting & Design Since 1929*

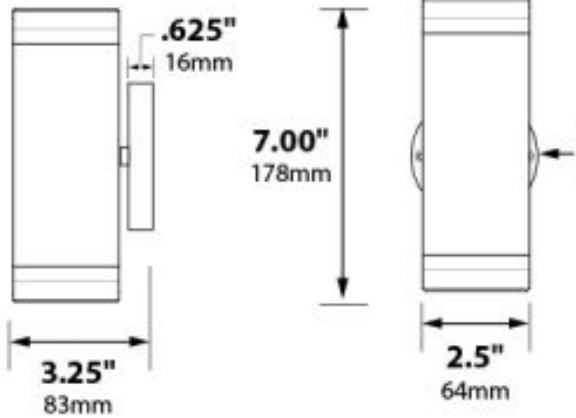
104 Day St. Seymour, CT 06483  
PH: 1-800-922-1469 Fax: 203-785-1184  
Web: GrandLight.com

## Up/Down Light Wall Mount Solid Brass 12v Specialty Landscape Light

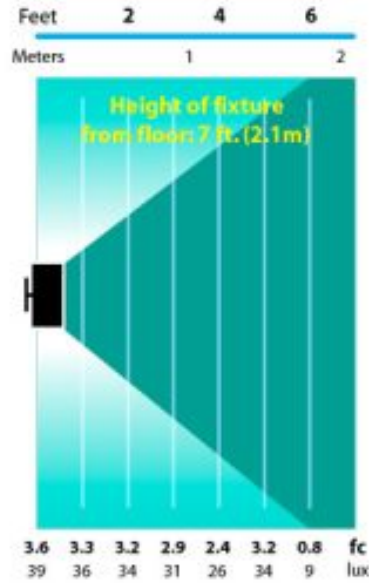
#127338 - Brass/Incandescent	#127339 - Acid Verde/Incandescent
#125359 - Acid Rust/Incandescent	#127341 - Acid Rust/LED
#127342 - Acid Verde/LED	#127340 - Brass/LED

# Up/Down Light Wall Mount Solid Brass 12v Specialty Landscape Light

## Line Drawing



## Photometrics



Light Distribution and Photometrics  
6 ft. (1.8m) radius

**GRAND LIGHT**

*Lighting & Design Since 1929*

104 Day St. Seymour, CT 06483  
PH: 1-800-922-1469 Fax: 203-785-1184  
Web: GrandLight.com

**Up/Down Light Wall Mount Solid Brass 12v Specialty Landscape Light**

#127338 - Brass/Incandescent #127339 - Acid Verde/Incandescent  
#125359 - Acid Rust/Incandescent #127341 - Acid Rust/LED  
#127342 - Acid Verde/LED #127340 - Brass/LED