

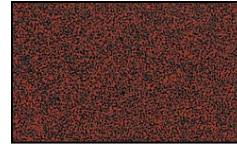
Well Light 4.5" Cast Aluminum 12v Inground Landscape Light



Finish Options



Black Texture



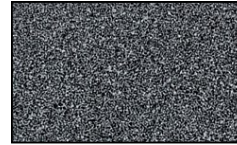
Rust



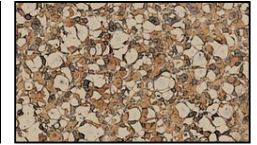
Weathered Brown



Antique Verde



Weathered Iron



Camel Tone

Bulb Options



LED



Incandescent

Product Description

CONSTRUCTION: Black extruded ABS housing; cast aluminum fixture; cast aluminum lens holder & high impact clear tempered convex glass lens

LENS: High impact clear tempered flat glass

LAMP SUPPLIED: 20w MR16 FL(BAB) 5000 hours average rating (35w max) or 4w ARROW LED 50,000 average rating

SOCKET: High temperature ceramic GU5.3 bi-pin with 250°C silicone lead wires

WIRING: Black 3 foot 18/2 zip cord from base of fixture

GRAND LIGHT

Lighting & Design Since 1929

104 Day St. Seymour, CT 06483
PH: 1-800-922-1469 Fax: 203-785-1184
Web: GrandLight.com

Well Light 4.5" Cast Aluminum 12v Inground Landscape Light

#57828 - Black Texture/Incandescent #127058 - Rust/Incandescent

#127060 - Weathered

#127056 - Antique

Brown/Incandescent

Verde/Incandescent

#127059 - Weathered

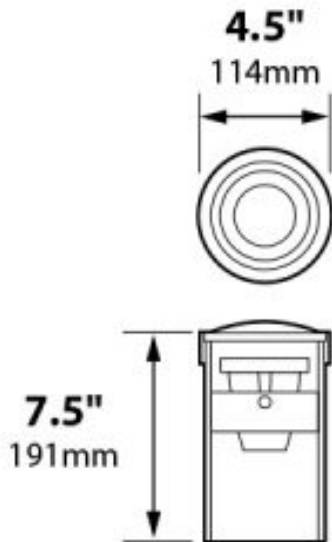
#127057 - Camel Tone/Incandescent

Iron/Incandescent

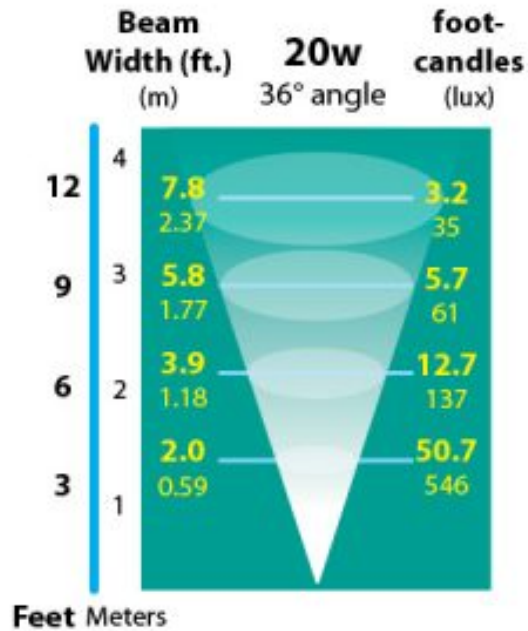
...and more! Contact us for more information.

Well Light 4.5" Cast Aluminum 12v Inground Landscape Light

Line Drawing



Photometrics



GRAND LIGHT
Lighting & Design Since 1929

104 Day St. Seymour, CT 06483
PH: 1-800-922-1469 Fax: 203-785-1184
Web: GrandLight.com

Well Light 4.5" Cast Aluminum 12v Inground Landscape Light

#57828 - Black Texture/Incandescent #127058 - Rust/Incandescent
#127060 - Weathered Brown/Incandescent #127056 - Antique Verde/Incandescent
#127059 - Weathered Iron/Incandescent #127057 - Camel Tone/Incandescent

...and more! Contact us for more information.