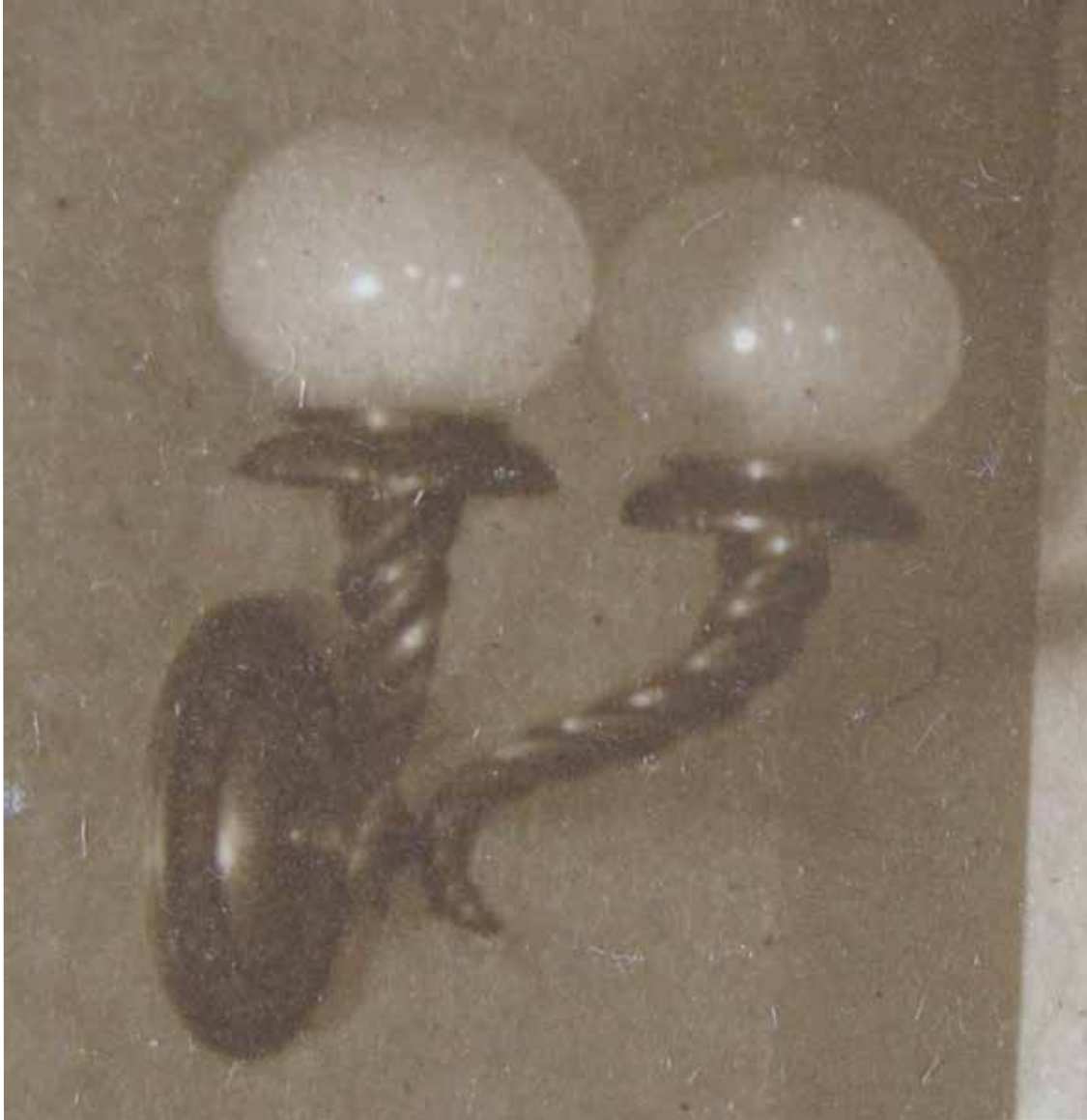


Wadsworth Atheneum Historic Lighting Fixtures



Work Scope:

- Custom Wall Sconce to match historic luminaires from 1910 photograph.
- See attached drawings.

Approval: _____ Date: _____

GRAND LIGHT
Historic Lighting Restoration & Custom Lighting

104 Day St. Seymour, Ct 06483

PH: 1-800-922-1469 Fax: 203-828-6307

Web: LightRestoration.com

Project: Wadsworth Atheneum

Lamp: 60w

Material: Bronze

Globe: 6 in. Opal Glass

Socket: Candelabra

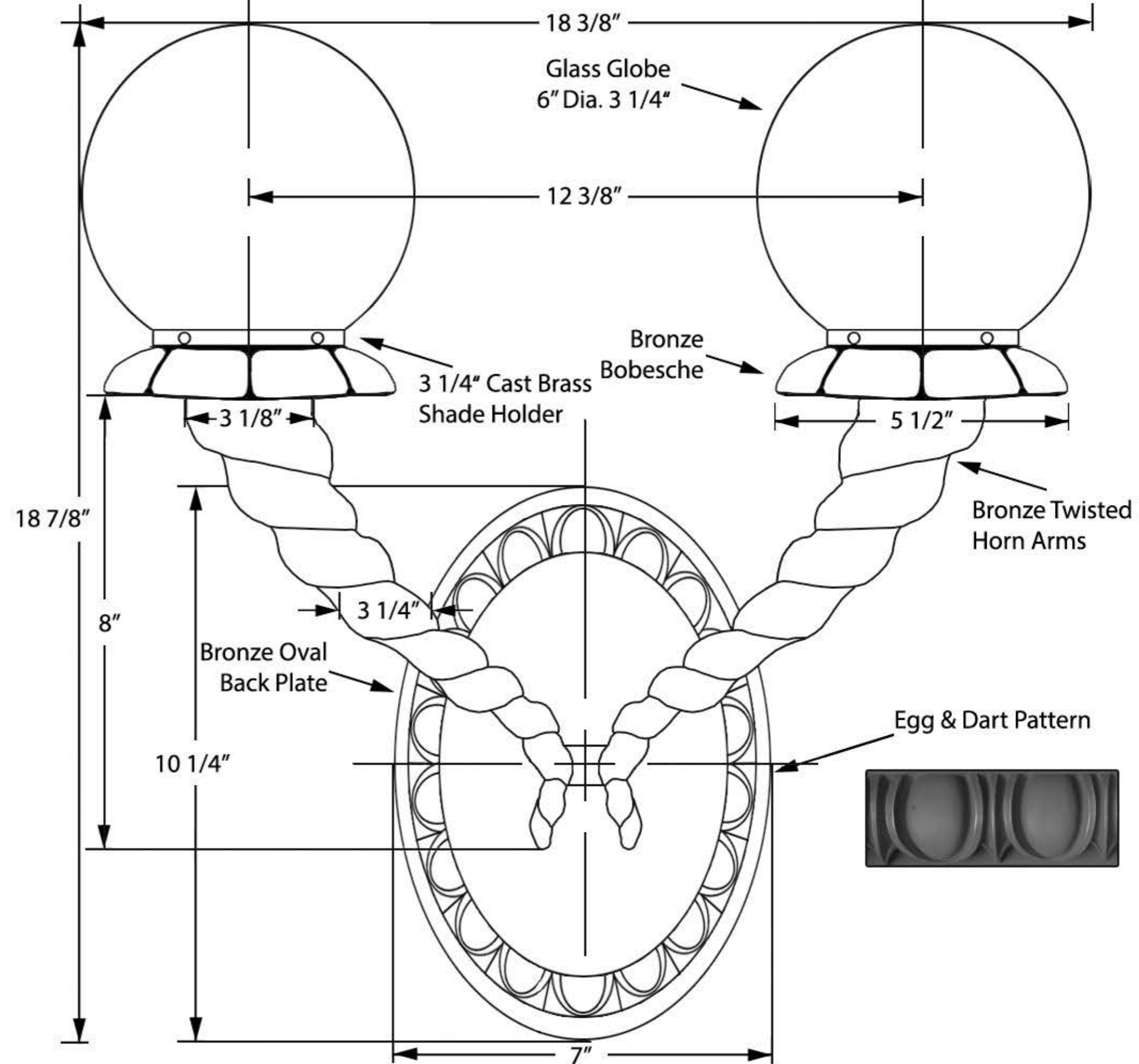
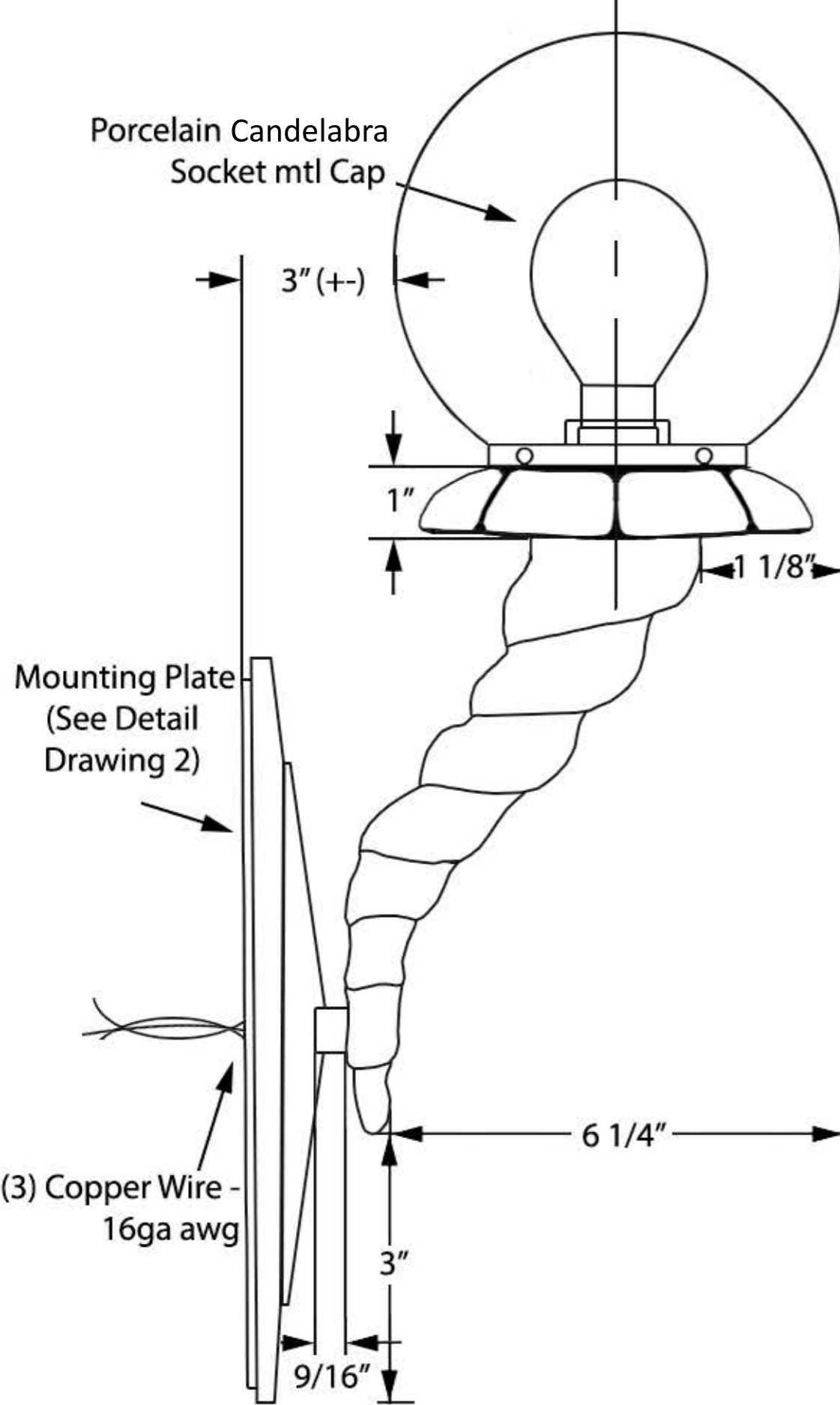
Circuits: 1

SO#: 66711

Voltage: 120v

Finish: Statuary Bronze to Match WL22 & WL24

QTY: 6 REV: 3 Date: 10/30/14 Type: WL20



GRAND LIGHT

Historic Lighting Restoration & Custom Lighting

104 Day St. Seymour, Ct 06483

PH: 1-800-922-1469 Fax: 203-828-6307

Web: LightRestoration.com

Project: Wadsworth Atheneum

Lamp: 60w

Material: Bronze

Globe: 6 in. Opal Glass

Socket: Candelabra

Circuits: 1

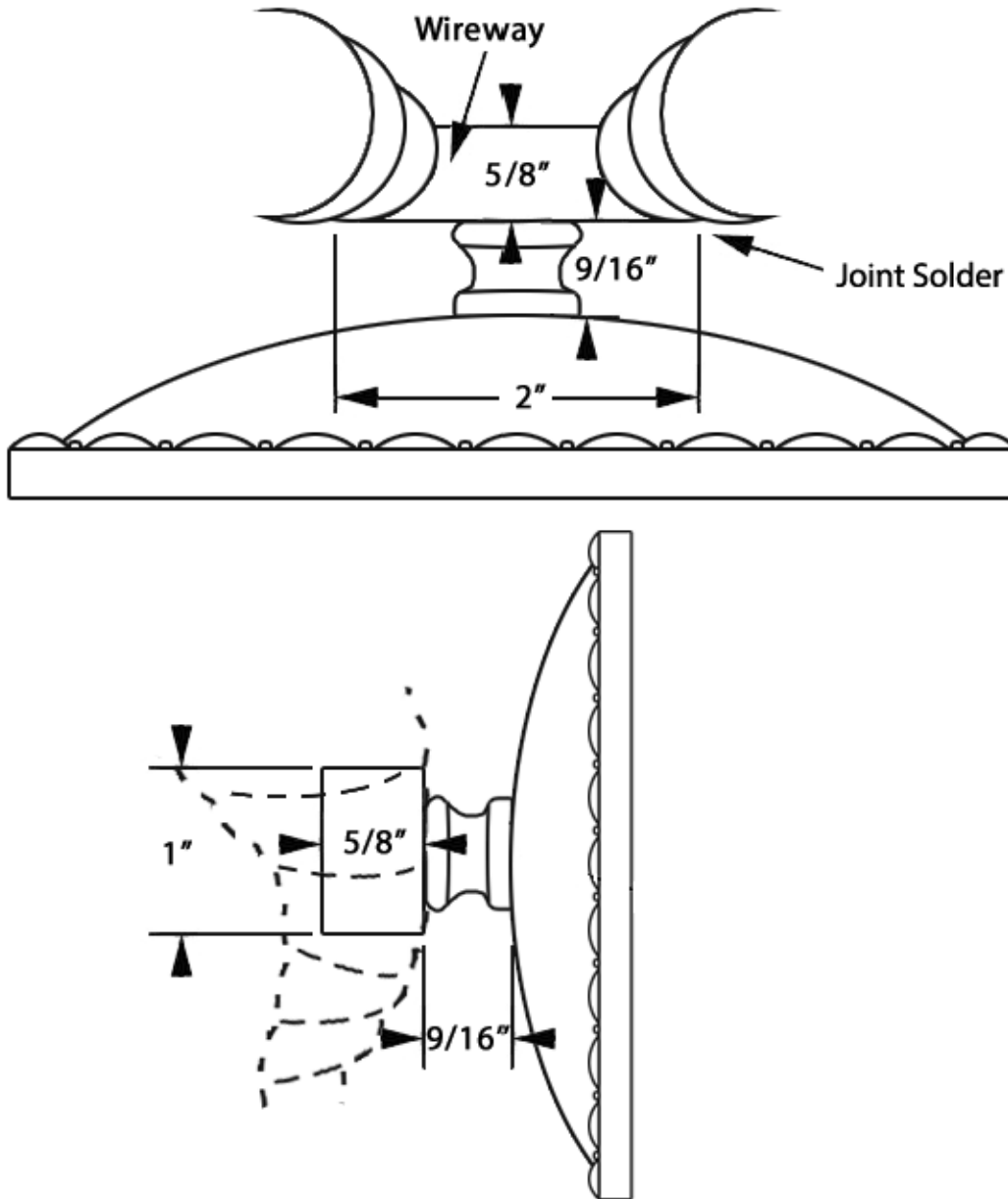
SO#: 66711

Voltage: 120v

Finish: Statuary Bronze to Match WL22 & WL24

QTY: 6 REV: 3 Date: 10/30/14 Type: WL20

Wadsworth Atheneum Historic Lighting Fixtures
WL20 Backplate Details



GRAND LIGHT

Historic Lighting Restoration & Custom Lighting

104 Day St. Seymour, Ct 06483

PH: 1-800-922-1469 Fax: 203-828-6307

Web: LightRestoration.com

Project: Wadsworth Atheneum

Lamp: 60w

Material: Bronze

Globe: 6 in. Opal Glass

Socket: Candelabra

Circuits: 1

SO#: 66711

Voltage: 120v

Finish: Statuary Bronze to Match WL22 & WL24

QTY: 6 REV: 1 Date: 10/30/14 Type: WL20

Wadsworth Atheneum Historic Lighting Fixtures
Glass Globe



Description:

- Diameter 6"
- Opening 3 1/4"

Approval: _____ **Date:** _____

GRAND LIGHT

Historic Lighting Restoration & Custom Lighting

104 Day St. Seymour, Ct 06483

PH: 1-800-922-1469 Fax: 203-828-6307

Web: LightRestoration.com

Project: Wadsworth Atheneum

Material: Glass

Finish: Opal

SO#: 66711

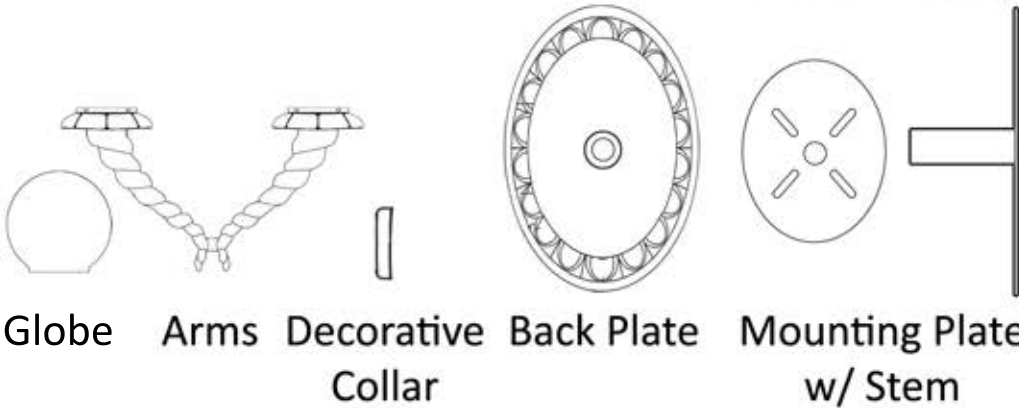
QTY: 12 REV:3 Date: 10/30/14 Type: WL20

Wadsworth Atheneum

Type: WL20

Installation Instructions

Components



Components

- 2X Arms
- 1X Back Plate
- 1X Bronze Mounting Plate
- 1X Decorative Collar
- 2X Globes

Steps

Step 1: Slide wires that are exiting from arms through the decorative collar, back plate, and mounting plate, to make electrical connection to the wall box and mount the mounting plate to the junction box.

Step 2: Slide back plate over the mounting plate shaft and hand tighten the set screw so that the back plate does not spin. **Overtightening this set screw may result in damage to the component.**

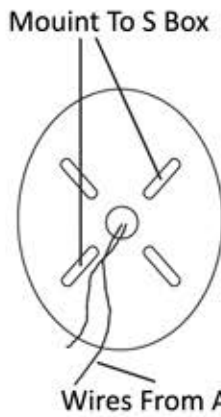
Step 3: Slide the decorative collar over the mounting plate shaft and let it spin freely until step 4 is complete. Hand tighten set screw when decorative collar is at an aesthetically appealing position on the shaft.

Step 4: Slide the arm assembly over the shaft and tighten the two set screws tightly so that the arms are securely fastened to the shaft. Hand tighten the decorative collar that was positioned in Step 3. **Overtightening this decorative collar set screw may result in damage to the component.**

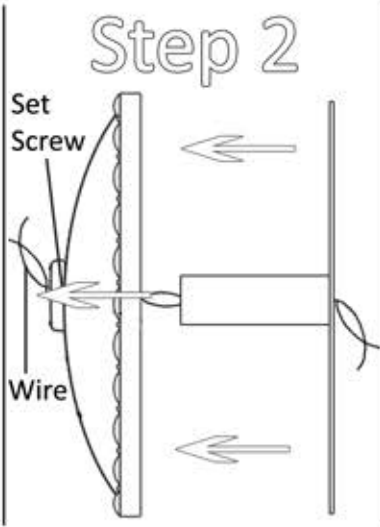
Step 5: Lightly pull the wires through the top where the sockets are to eliminate any slack. Cut wires to length (if necessary) and wire the sockets and install lamp.

Step 6: Install globes to globe holders and hand tighten (3) set screws located on holder base. **Overtightening set screw may result in damage to the glass.**

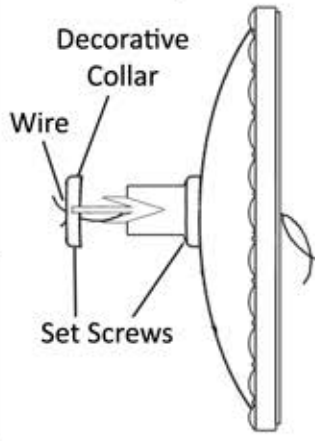
Step 1



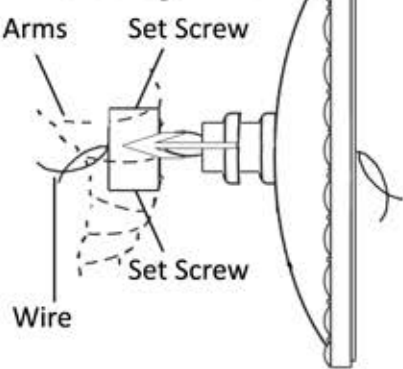
Step 2



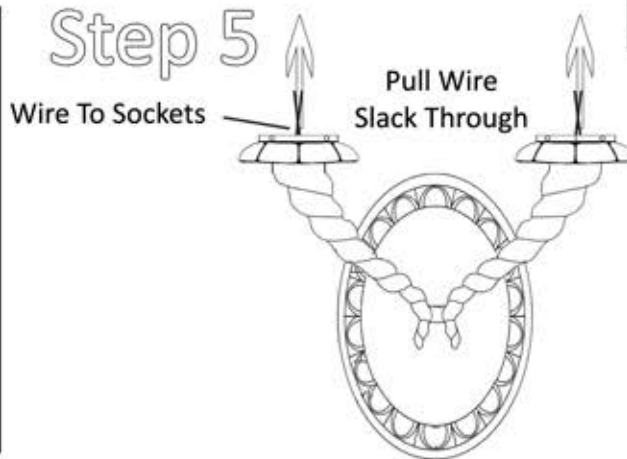
Step 3



Step 4



Step 5



Step 6



GRAND LIGHT

Historic Lighting Restoration & Custom Lighting

104 Day St. Seymour, Ct 06483

PH: 1-800-922-1469 Fax: 203-828-6307

Web: LightRestoration.com

Project: Wadsworth Atheneum

Lamp: 60w

Material: Bronze

Globe: 6 in. Opal Glass

Socket: Candelabra

Circuits: 1

SO#: 66711

Voltage: 120v

Finish: Statuary Bronze

QTY: 6

Date: 2/13/15

Type: WL20