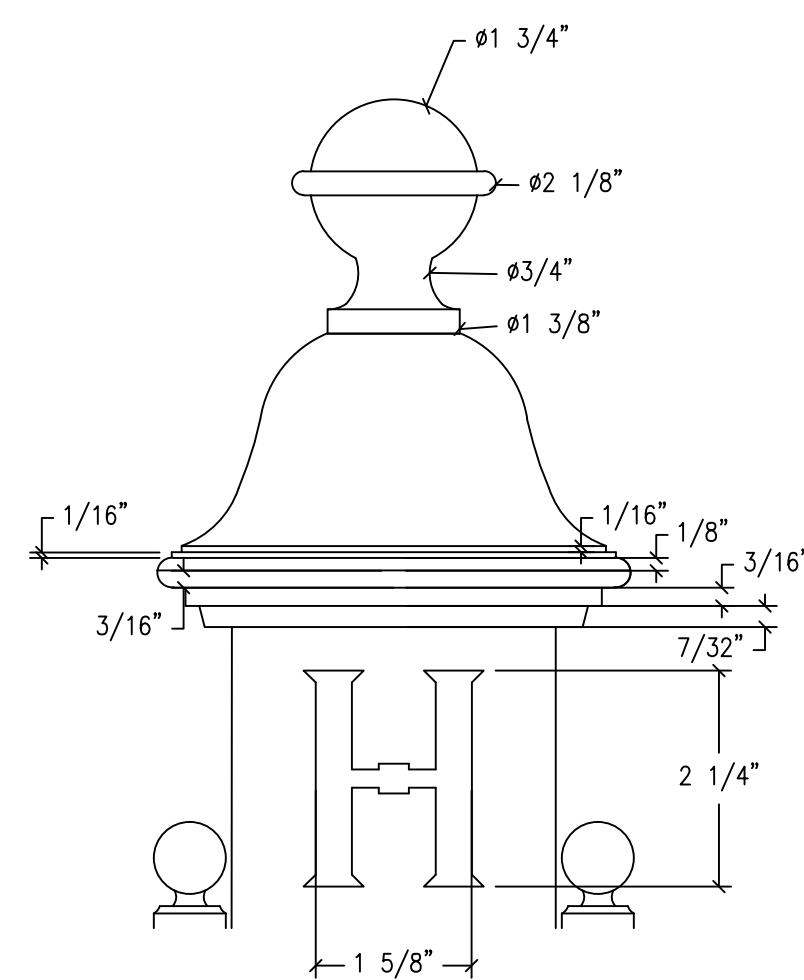
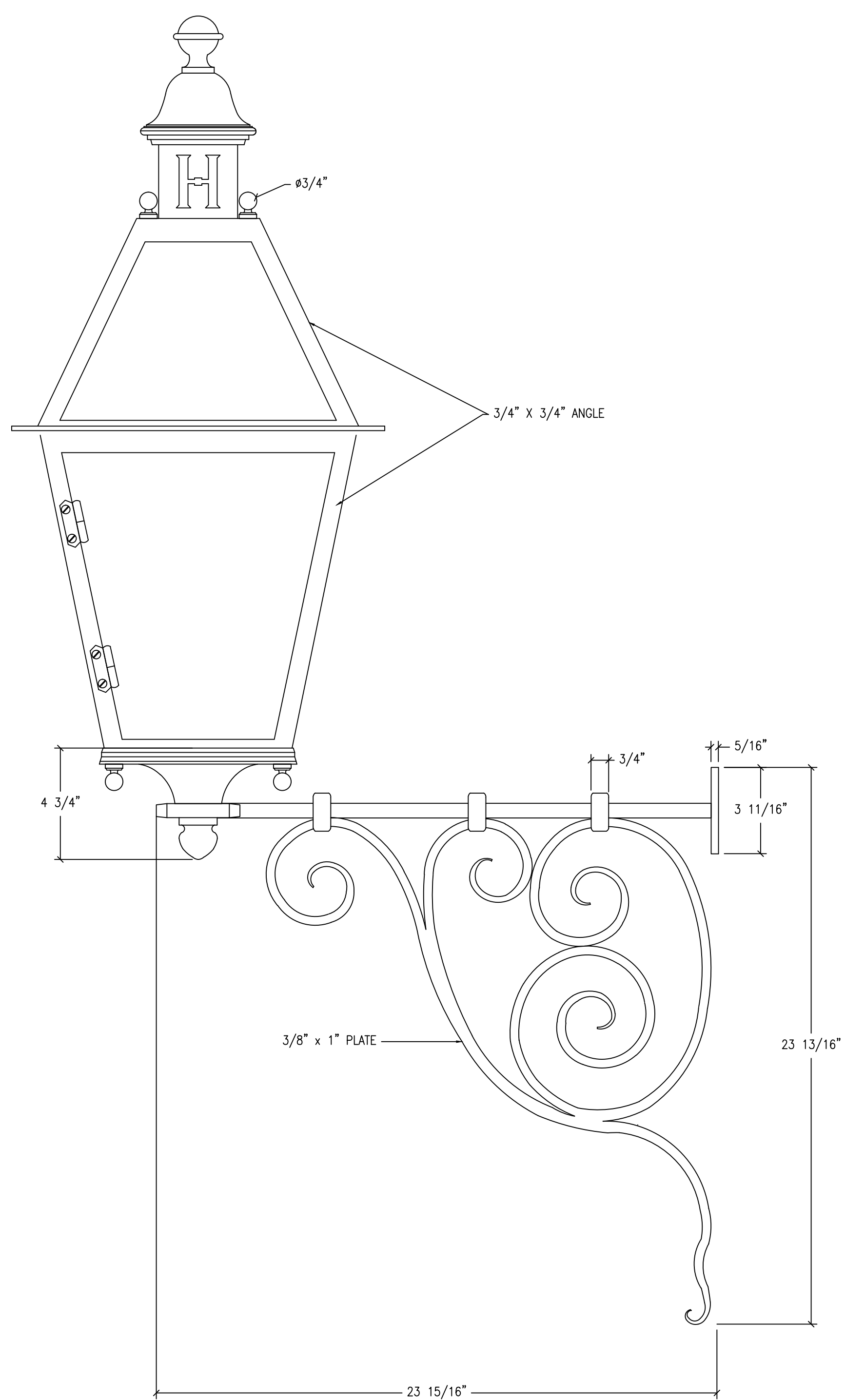


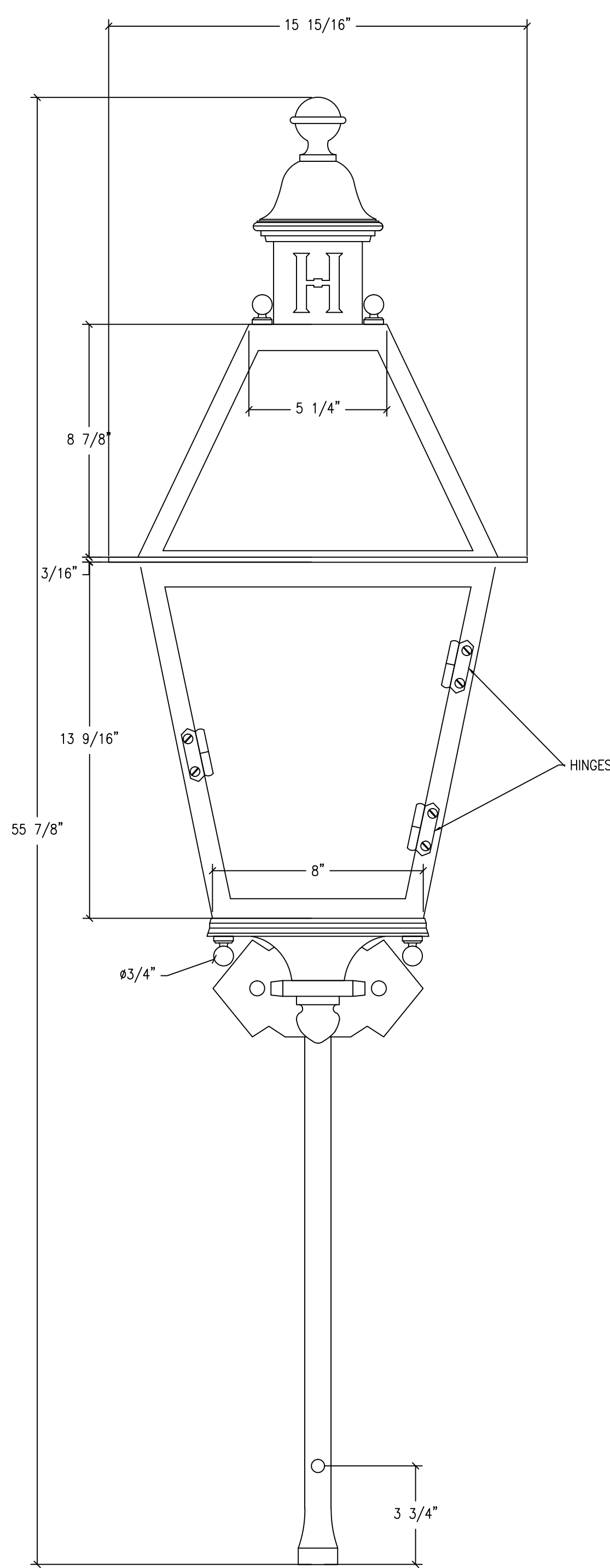
1 PLAN ELEVATION  
A SCALE: 3" = 1'-0"



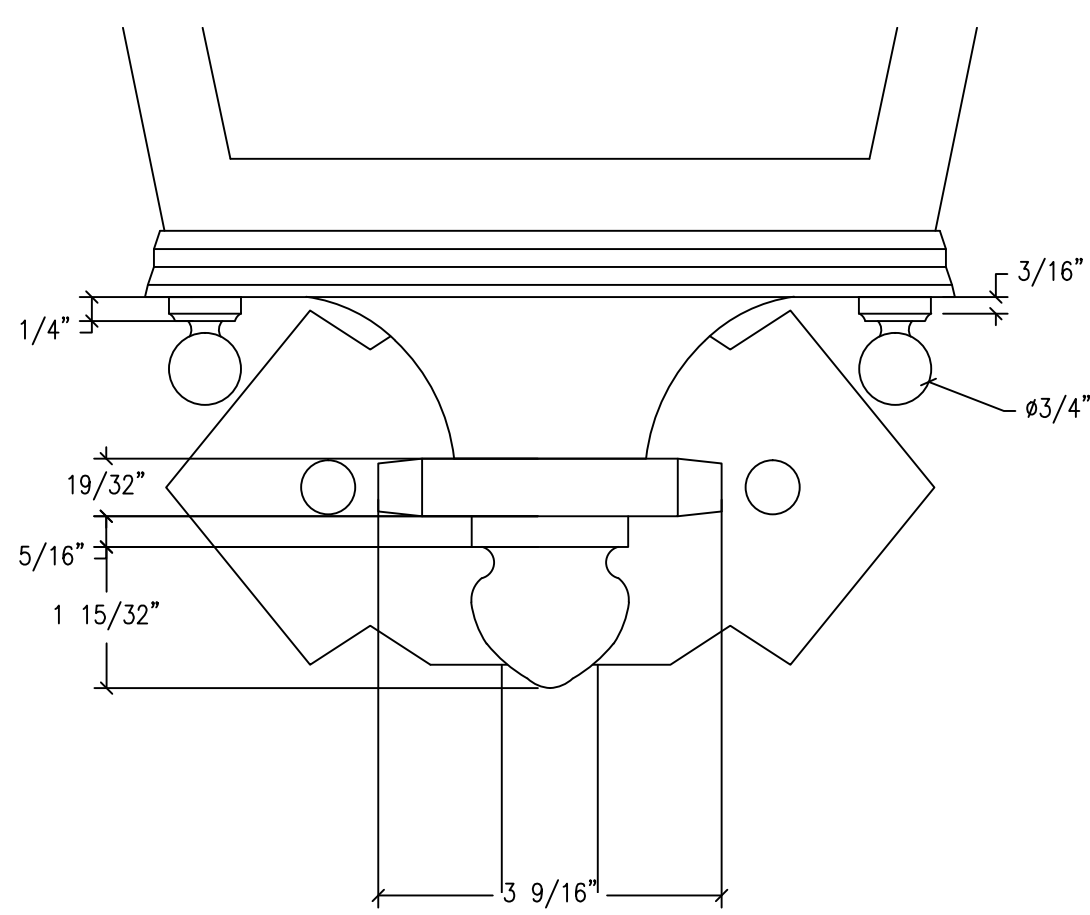
1 FINIAL DETAIL  
B SCALE: HALF SCALE



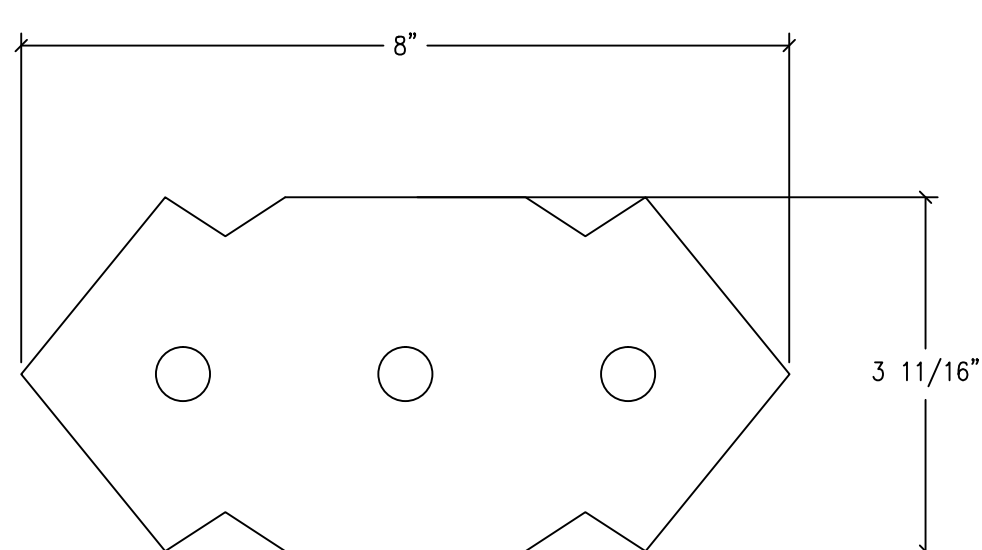
1 SIDE ELEVATION  
C SCALE: 3" = 1'-0"



1 FRONT ELEVATION  
D SCALE: 3" = 1'-0"



1 BOTTOM DETAIL  
E SCALE: HALF SCALE



1 PLATE DETAIL  
F SCALE: HALF SCALE

**Note:**  
• 6' lead (SOOW Cord) to be supplied at the end of fixture.

Approval: \_\_\_\_\_ Date: \_\_\_\_\_

<b>GRAND LIGHT</b>		
Historic Lighting Restoration & Custom Lighting		
104 Day St. Seymour, Ct 06483		
PH: 1-800-922-1469 Fax: 203-785-1184		
Web: LightRestoration.com		
Project: Harvard University - Dunster House		
Lamp: CF26W TTT	Ballast: N/A	Shade: N/A
Voltage: 120V	Circuits: 1	Glass: Frosted Seedy
Socket: Medium Base	Finish: Semi-Gloss Black	Scale: 3" = 1'-0"
QTY: 21	REV: 3	Date: 1/5/15 Type: AEX03A