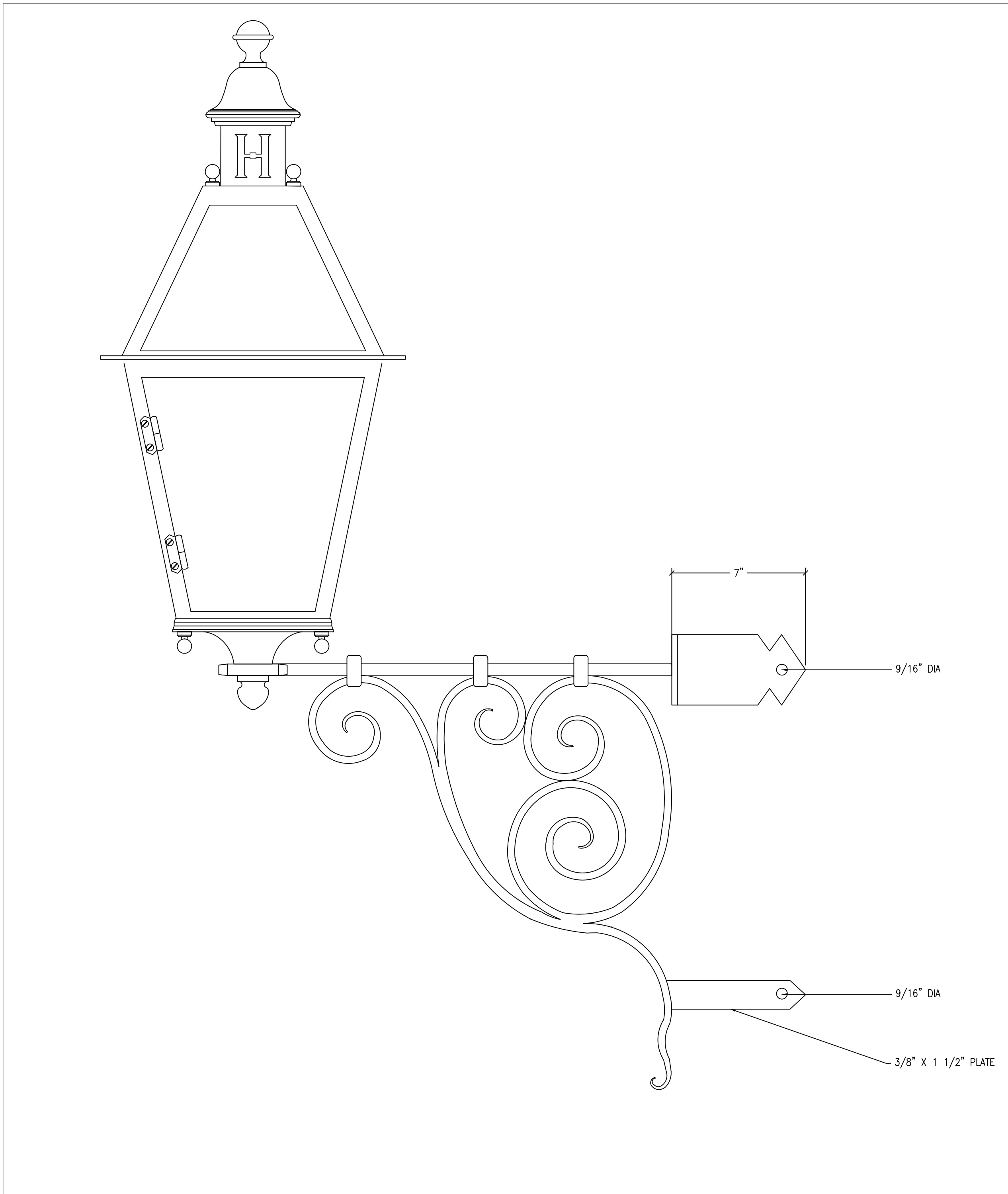


1 PLAN ELEVATION  
A SCALE: 3" = 1'-0"



1 SIDE ELEVATION  
B SCALE: 3" = 1'-0"

**Note:**  
• 6' lead (SOOW Cord) to be supplied at the end of fixture.

Approval: _____		Date: _____	
<b>GRAND LIGHT</b>			
Historic Lighting Restoration & Custom Lighting			
104 Day St. Seymour, Ct 06483			
PH: 1-800-922-1469 Fax: 203-785-1184			
Web: LightRestoration.com			
Project: Harvard University - Dunster House		Lamp: CF26W TTT Ballast: N/A Shade: N/A	
Voltage: 120V Circuits: 1 Glass: Frosted Seedy		Socket: Medium Base Finish: Semi-Gloss Black Scale: 3" = 1'-0"	
QTY: 4	REV: 3	Date: 1/5/15	Type: AEX03AC