

**NOTES:**

LANTERN: 1/16" copper based alloy

OUNTING PLATES: 3/32" steel

VERTICAL WALL MOUNT: 3/16" steel

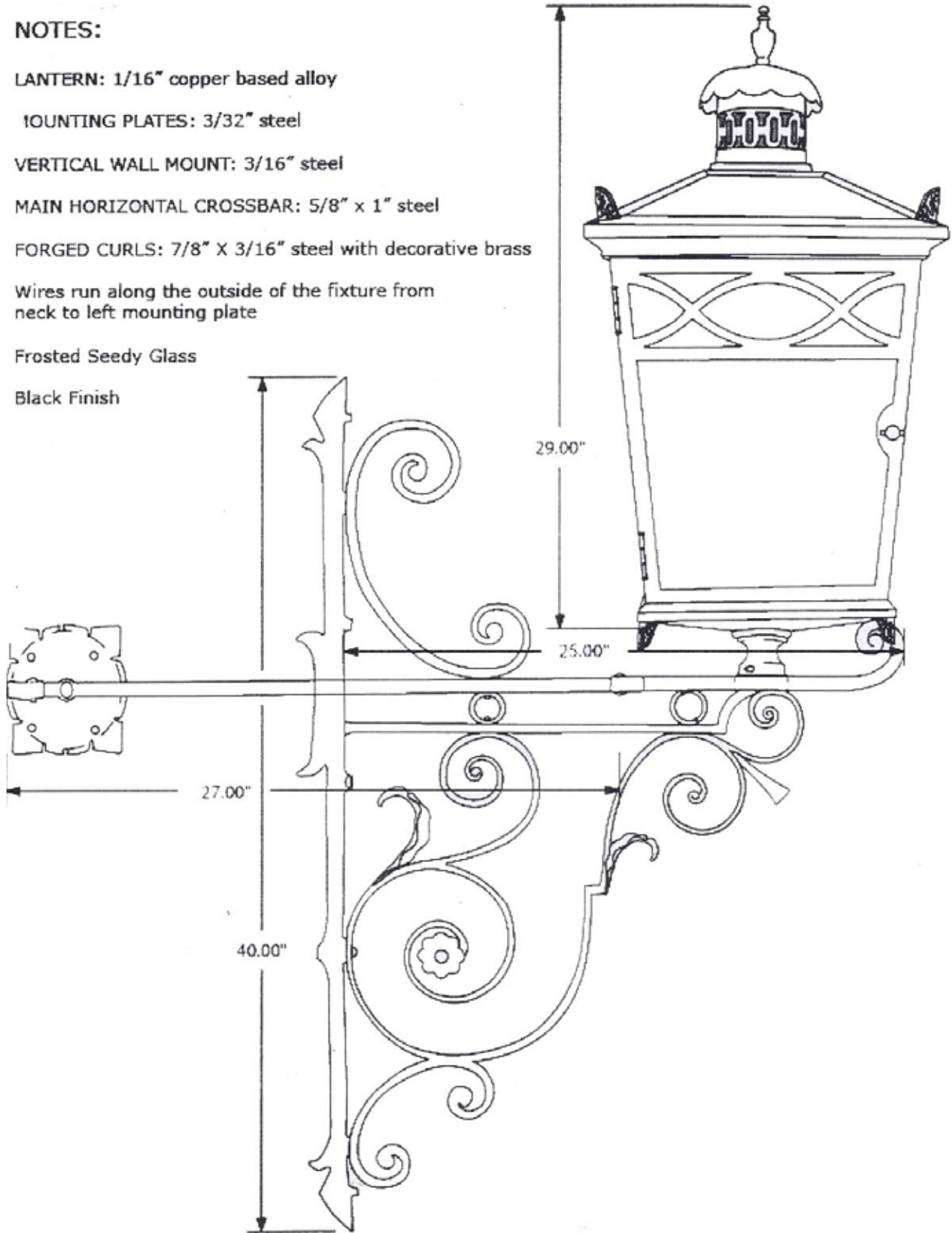
MAIN HORIZONTAL CROSSBAR: 5/8" x 1" steel

FORGED CURLS: 7/8" X 3/16" steel with decorative brass

Wires run along the outside of the fixture from neck to left mounting plate

Frosted Seedy Glass

Black Finish



**GRAND LIGHT**

Historic Lighting Restoration & Custom Lighting

104 Day St. Seymour, Ct 06483

PH: 1-800-922-1469 Fax: 203-785-1184

Web: LightRestoration.com

**Project: Yale University Silliman College**

Lamp: CFL

Circuits: 1

Glass: Frosted Seedy

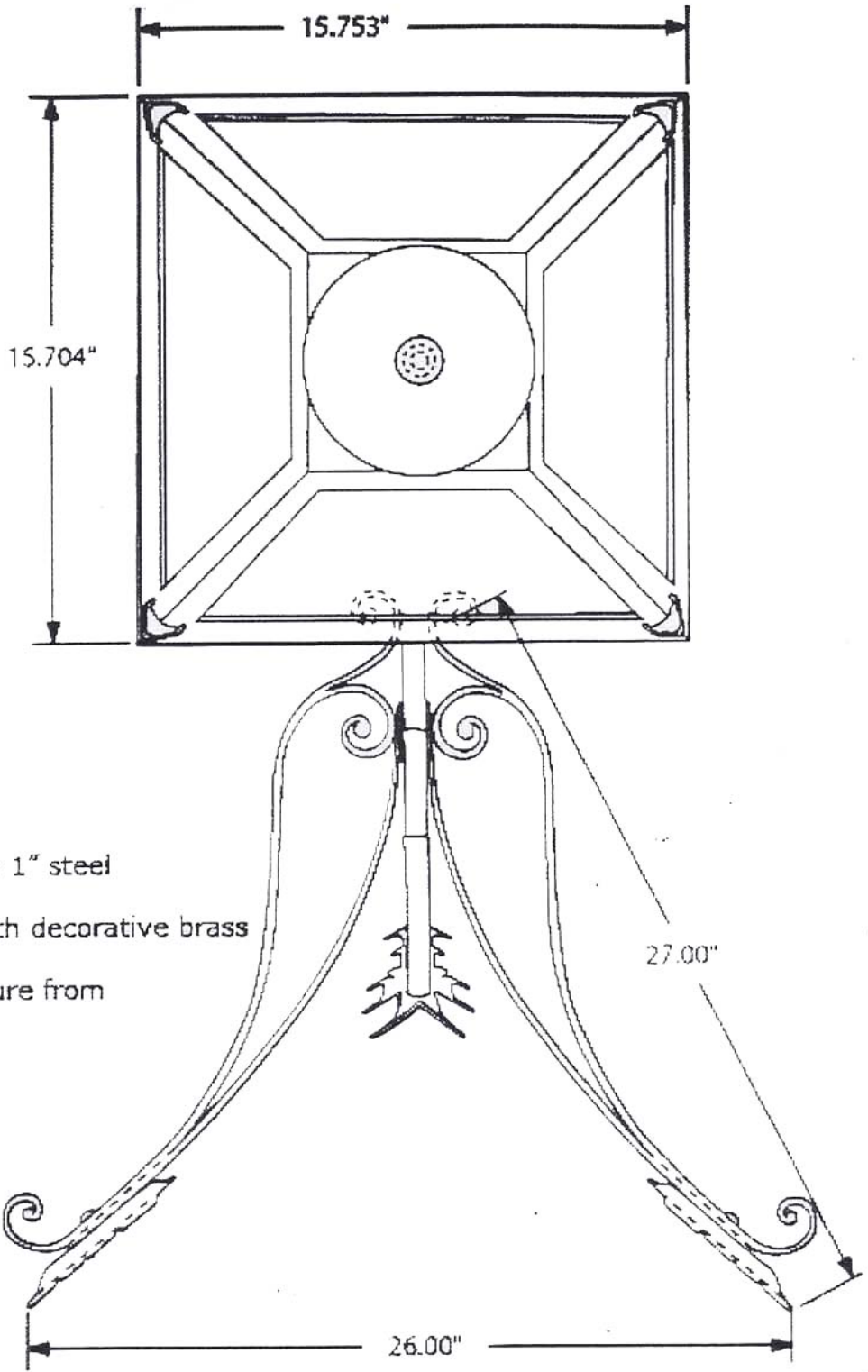
Voltage: 120V

Finish: Black paint

Socket: CFL

Ballast: N/A

**QTY: 6 Date: 3/23/04 Type: BEW,CEW,DEW**



**NOTES:**

LANTERN: 1/16" copper based alloy

MOUNTING PLATES: 3/32" steel

VERTICAL WALL MOUNT: 3/16" steel

MAIN HORIZONTAL CROSSBAR: 5/8" x 1" steel

FORGED CURLS: 7/8" X 3/16" steel with decorative brass

Wires run along the outside of the fixture from neck to left mounting plate

Frosted Seedy Glass

Black Finish

**GRAND LIGHT**

Historic Lighting Restoration & Custom Lighting

104 Day St. Seymour, Ct 06483

PH: 1-800-922-1469 Fax: 203-785-1184

Web: LightRestoration.com

**Project: Yale University Silliman College**

Lamp: CFL

Voltage: 120V

Socket: CFL

Circuits: 1

Finish: Black paint

Ballast: N/A

Glass: Frosted Seedy

**QTY: 6 Date: 3/23/04 Type: BEW,CEW,DEW**