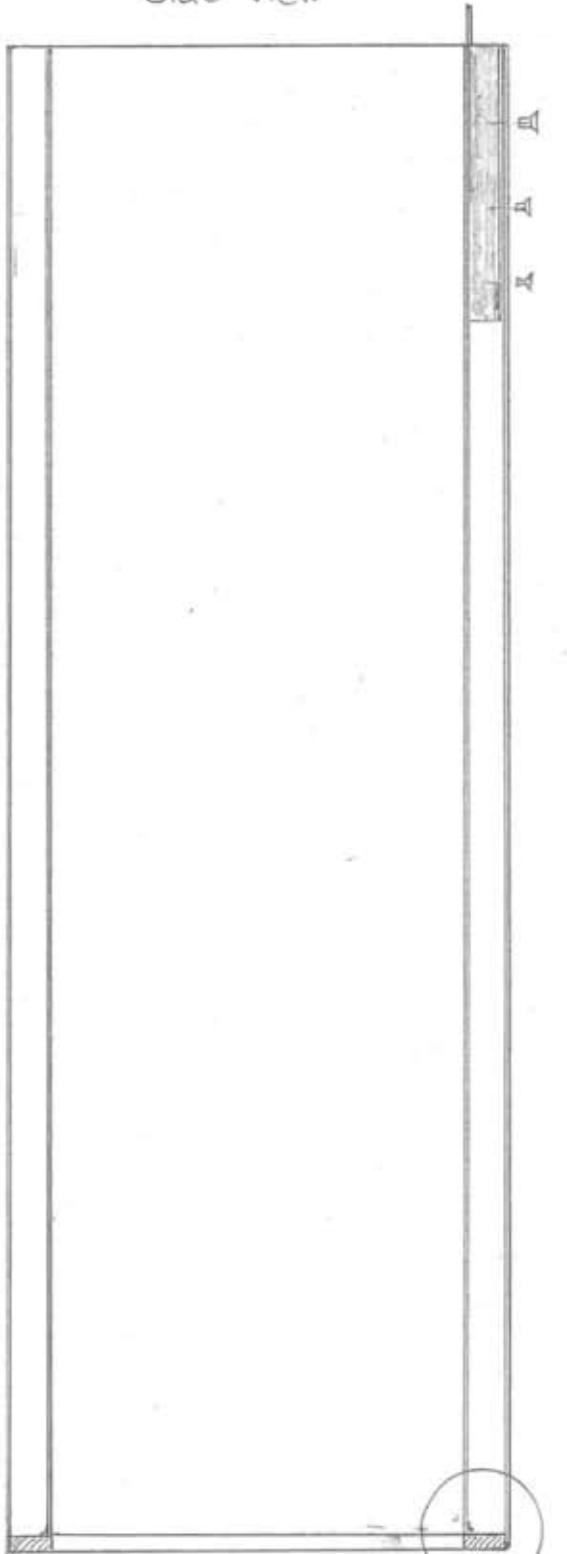
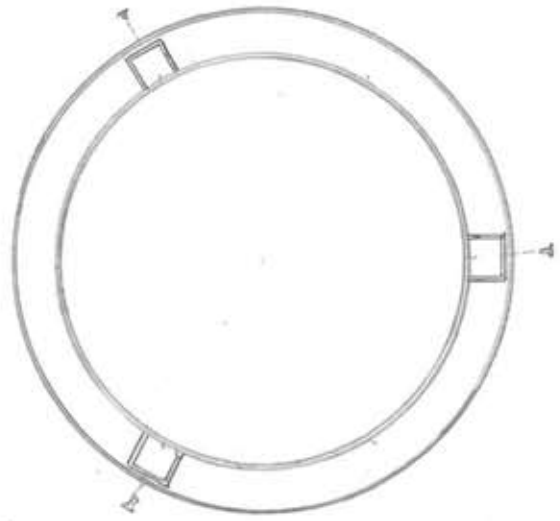


Side view

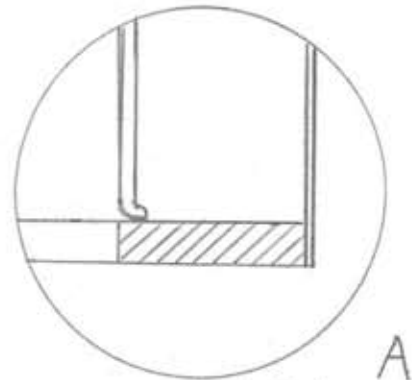


Scale 1:4

Top view



Scale 1:4



Scale 1:1

A

Approval: _____

Date: _____

GRAND LIGHT

Historic Lighting Restoration & Custom Lighting

580 Grand Ave. New Haven, CT 06511

PH: 1-800-922-1469 Fax: 203-785-1184

Web: LightRestoration.com

Project: Massachusetts State House

Finish: RAL1002

Scale: NTS

Date: 2/18/2013 Type: Custom