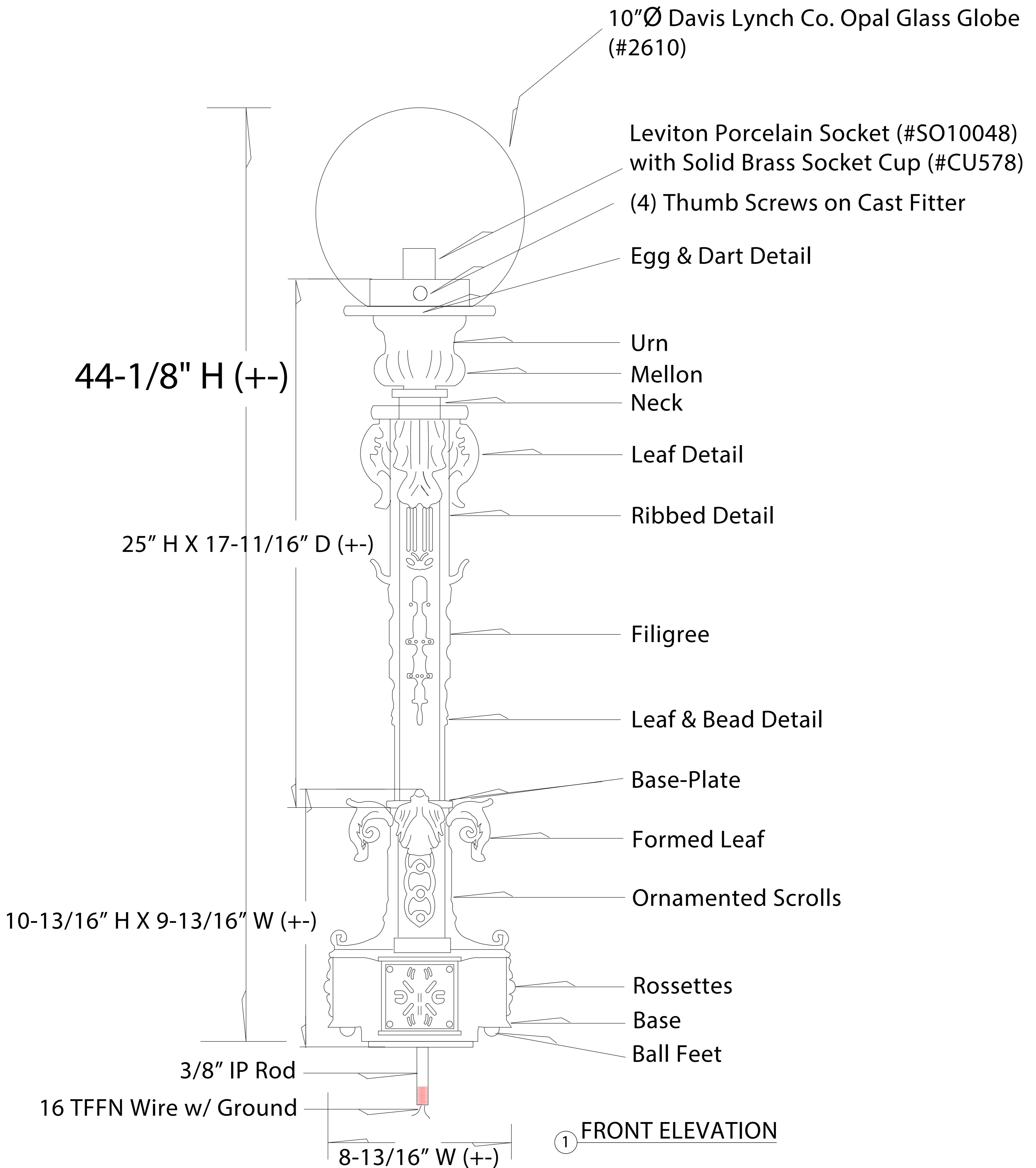


William J Brennan Courthouse

Type: H



NOTE:

1. ALL COMPONENTS WILL BE CAST IN SILICON BRONZE INGOT ALLOY (C873)
2. FIXTURE TO BE MOUNTED TO DESKTOP USING 3/8" IP ROD
3. SEE ATTACHED "TYPE H DETAIL"
4. ALL COMPONENTS TO RECEIVE ANTIQUE PATINA FINISH TO CLOSELY MATCH EXISTING

GRAND LIGHT

Historic Lighting Restoration & Custom Lighting

104 Day St. Seymour, Ct 06483

PH: 1-800-922-1469 Fax: 203-785-1184

Web: LightRestoration.com

Project: William J Brennan Courthouse

Lamp: As Is
Voltage: 120V
Socket: (1) Medium Base
Ballast: N/A

Circuits: 1
Finish: Gold Patina
Shade: Glass
SO#: 70366

Glass: (1) Opal 10"

QTY: 2

REV: 1

Date: 9/21/15

Type: H

**William J Brennan Courthouse
Type: H Detail**



GRAND LIGHT

Historic Lighting Restoration & Custom Lighting

104 Day St. Seymour, Ct 06483

PH: 1-800-922-1469 Fax: 203-785-1184

Web: LightRestoration.com

Project: William J Brennan Courthouse

Lamp: As Is

Ballast: N/A

Shade: Glass

Voltage: 120V

Circuits: 1

Glass: Opal 10"

Socket: (1) Medium Base

Finish: Gold Patina

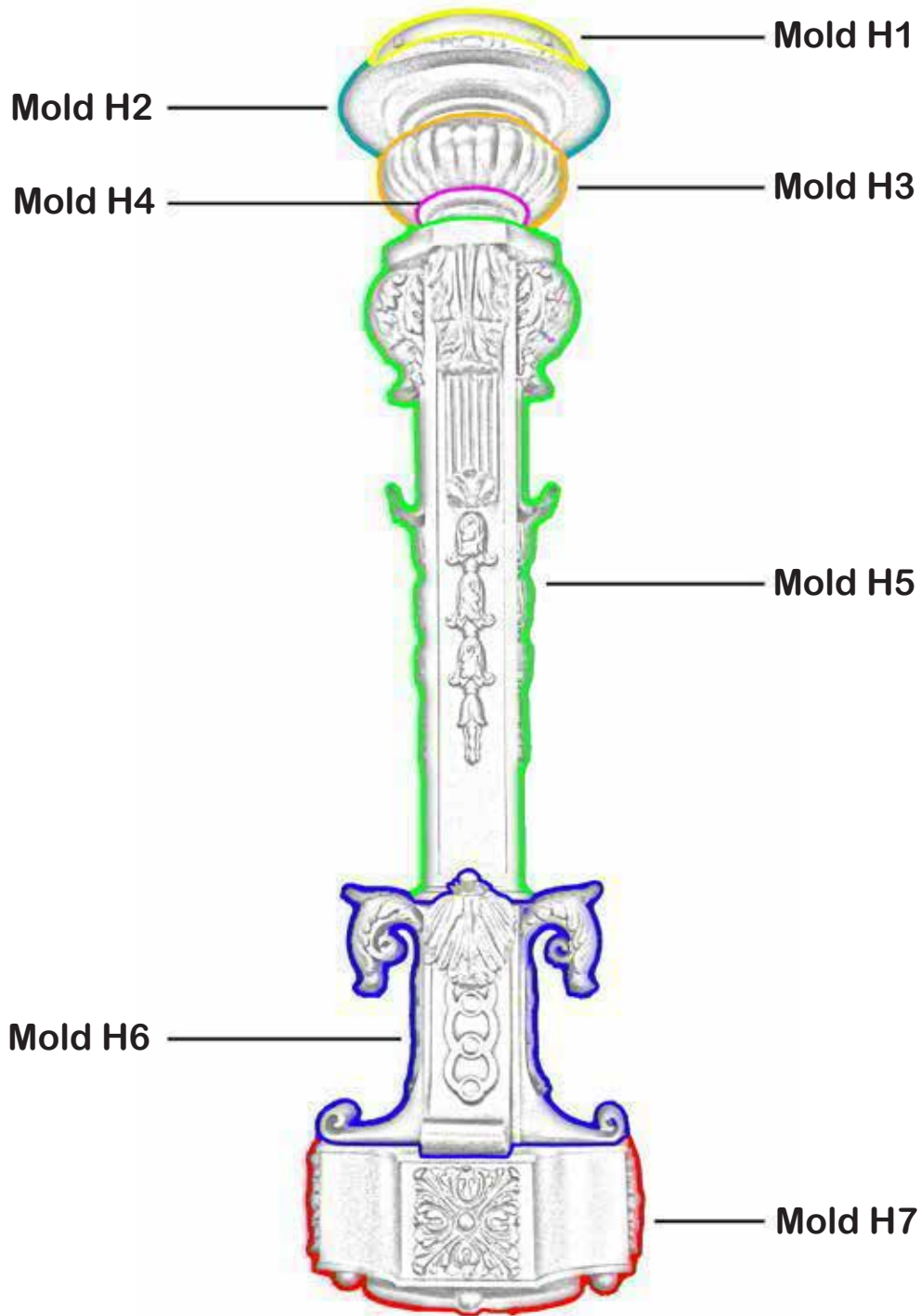
SO#: 70366

QTY: 2

Date: 9/21/15

Type: H

William J Brennan Courthouse Type H New Mold Configuration



GRAND LIGHT

Historic Lighting Restoration & Custom Lighting

104 Day St. Seymour, Ct 06483

PH: 1-800-922-1469 Fax: 203-785-1184

Web: LightRestoration.com

Project: William J Brennan Courthouse

Lamp: As Is

Ballast: N/A

Shade: Glass

Voltage: 120V

Circuits: 1

Glass: Opal 10"

Socket: (1) Medium Base

Finish: Gold Patina

SO#: 70366

QTY: 2

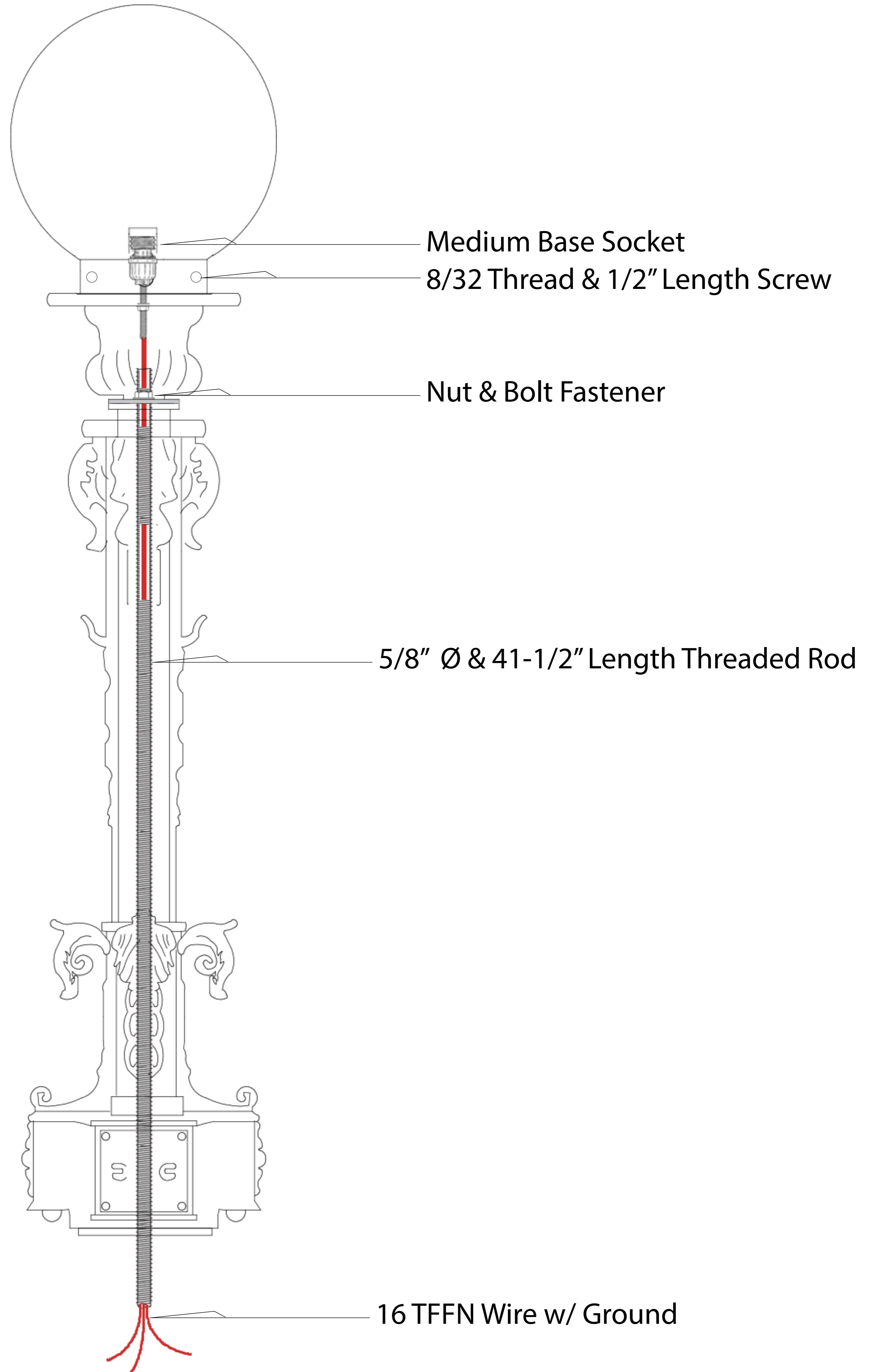
Date: 9/21/15

Type: H

William J Brennan Courthouse

Type: H

Assembly & Wiring Diagram



GRAND LIGHT

Historic Lighting Restoration & Custom Lighting

104 Day St. Seymour, Ct 06483

PH: 1-800-922-1469 Fax: 203-785-1184

Web: LightRestoration.com

Project: William J Brennan Courthouse

Lamp: As Is
Voltage: 120V
Socket: (1) Medium Base
Ballast: N/A

Circuits: 1
Finish: Gold Patina
Shade: Glass
SO#: 70366

Glass: (1) Opal 10"

QTY: 2

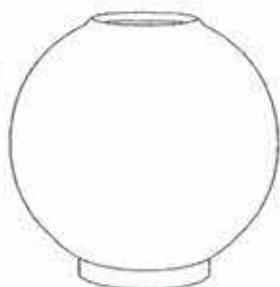
REV: 1

Date: 10/20/15

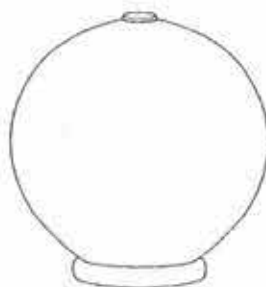
Type: H

**Opal Balls w/Lip Fitter**

2306 - 6 D 3 1/4 LF
2307 - 7 D 3 1/4 LF
2308 - 8 D 3 1/4 LF
2408 - 8 D 4 LF
2410 - 10 D 4 LF
2510 - 10 D 5 LF
2610 - 10 D 6 LF
2412 - 12 D 4 LF
2612 - 12 D 6 LF
2712 - 12 D 7 LF
2812 - 12 D 8 LF
2614 - 14 D 6 LF
2714 - 14 D 7 LF
2814 - 14 D 8 LF
2616 - 16 D 6 LF
2816 - 16 D 8 LF
2818 - 18 D 8 LF
21018 - 18 D 10 LF

**186-Line**

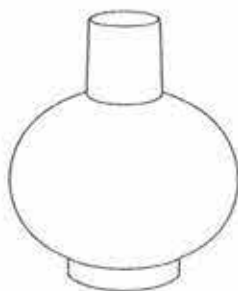
186-3 1/2 - 3 1/2 D x 3 1/4 H 1 1/4 BF 1 1/2 TO
186-4 - 4 D x 4 H 2 1/4 BF 2 TO
186-5 - 5 1/2 D x 5 1/4 H 2 1/4 BF 2 1/2 TO
186-6 - 6 D x 5 1/2 H 3 1/4 BF 3 1/2 TO
186-7 - 7 D x 6 1/2 H 4 BF 3 TO
186-8 - 8 D x 7 1/2 H 4 BF 3 TO
186-9 - 9 D x 8 1/2 H 4 BF 3 TO
186-10 - 10 D x 10 H 4 BF 3 TO
186-11 - 11 D x 11 H 4 BF 3 1/2 TO
186-12 - 12 D x 12 H 4 BF 3 1/2 TO
186-14 - 14 D x 14 H 5 BF 4 TO

**Lip Fitter Ball Line with Hole**

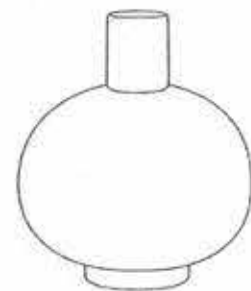
2306 - 6 D x 6 H 3 1/4 BF 1 TO
2307 - 7 D x 7 H 3 1/4 BF 1 TO
2408 - 8 D x 8 H 4 BF 1 TO
2410 - 10 D x 10 H 4 BF 1 TO
2412 - 12 D x 12 H 4 BF 1 TO

**Neckless Balls**

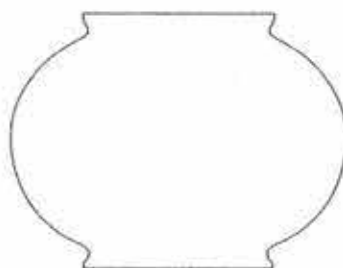
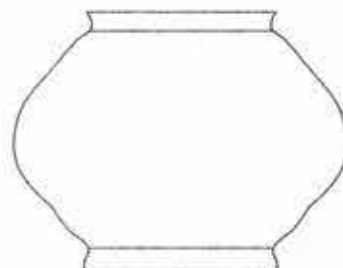
1361 - 6 D 3 TO
1362 - 8 D 4 TO
1363 - 10 D 4 TO
1364 - 12 D 5 1/2 TO
1365 - 14 D 5 1/2 TO
1366 - 16 D 5 1/2 & 6 TO

**93**

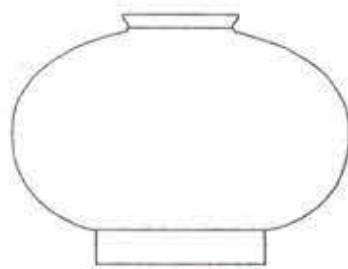
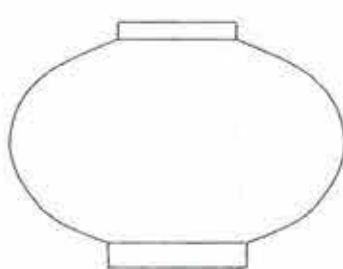
5 1/2 D x 6 1/4 H 3 BF 1 1/2 TO

**501 - 502**501 - 8 D x 10 1/4 H 4 BF 2 TO
502 - 7 D x 9 1/2 H 3 BF 1 1/2 TO**95**

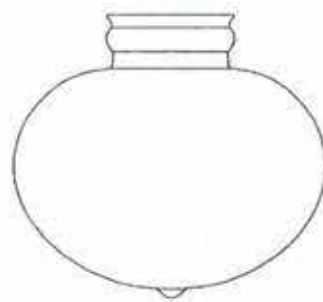
7 D x 7 H 3 1/4 BF 1 1/2 TO

**1496 - 1531 - 1532**1496 - 8 D x 8 H 4 LF T & B
1531 - 10 D x 10 H 4 LF T & B
1532 - 12 D x 12 H 4 LF T & B**8512 - 8613 - 1588**8512 - 5 1/2 D x 4 1/2 H 3 LF Both ends
8613 - 7 1/2 D x 6 H 4 LF Both ends
1588 - 9 1/2 D x 8 H 4 LF Both ends**8507**

5 1/2 D x 4 1/2 H 3 LF Both ends

**16297 - 16298**16297 - 11 1/4 D x 8 H 4 1/4 BF 6 TF
16298 - 10 D x 8 1/4 H 4 1/4 BF 4 1/4 TF**16299**

7 1/2 D x 5 1/2 H 3 1/4 BF 3 1/2 TO

**8203**

12 D x 10 1/4 H 1/2 BO 5 TF