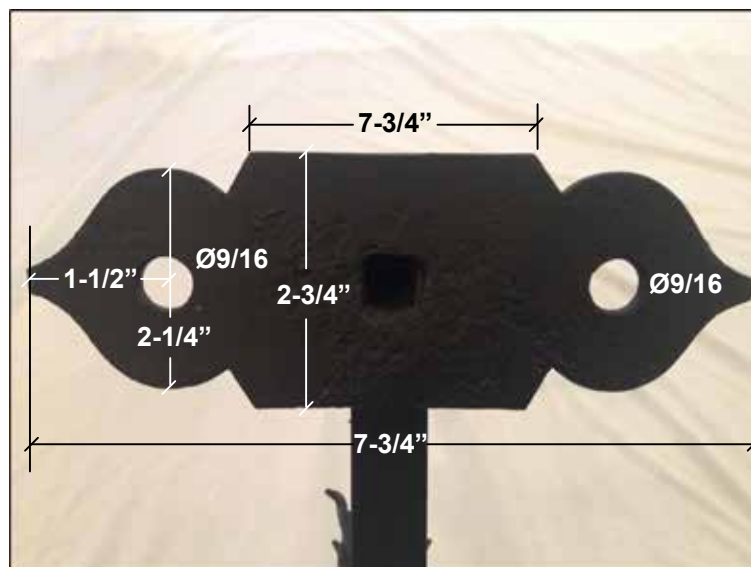
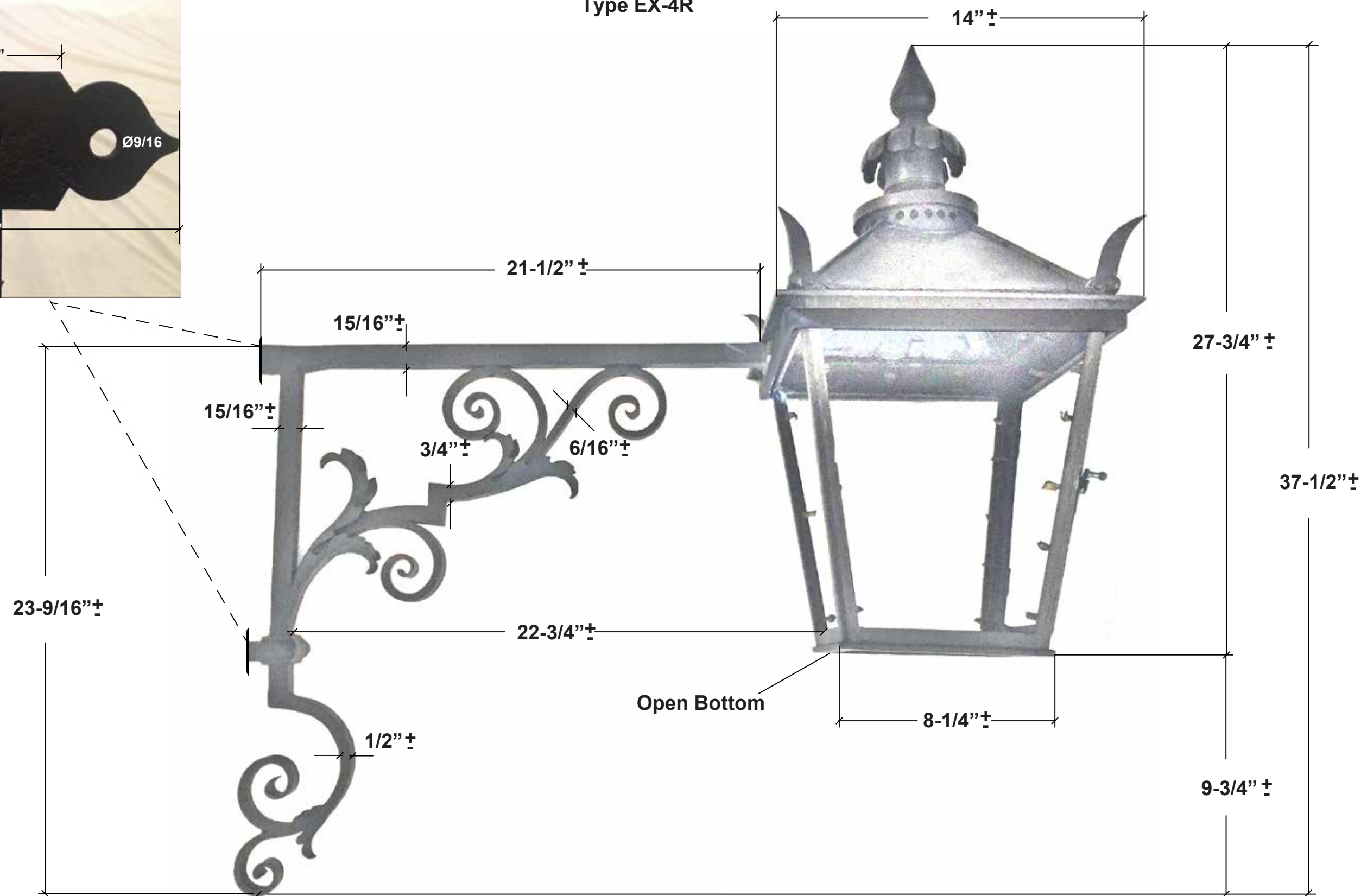


WALL MOUNTING BRACKET



**Harvard Winthrop House - Standish Hall
Type EX-4R**



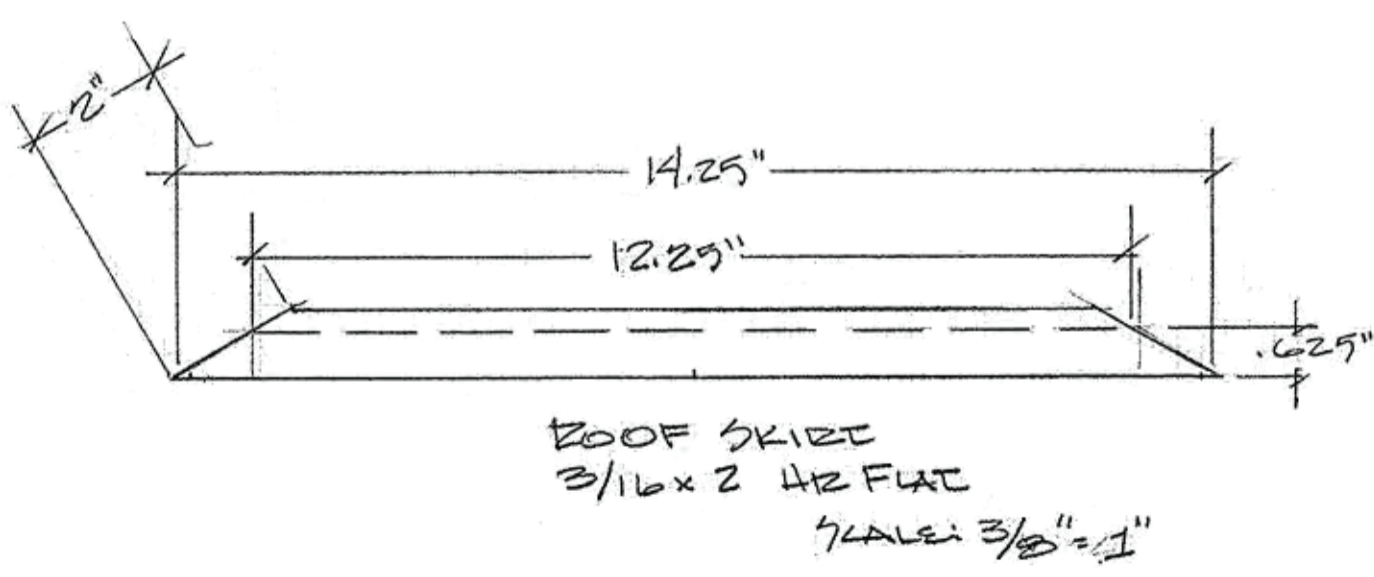
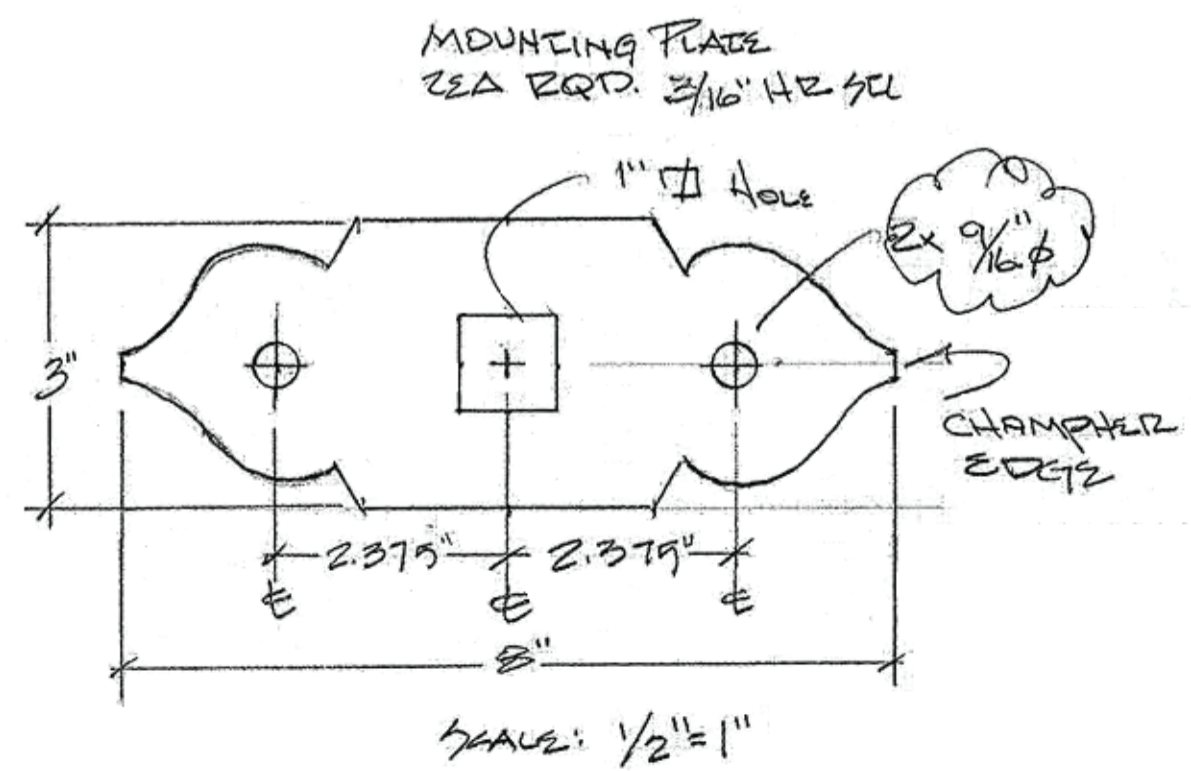
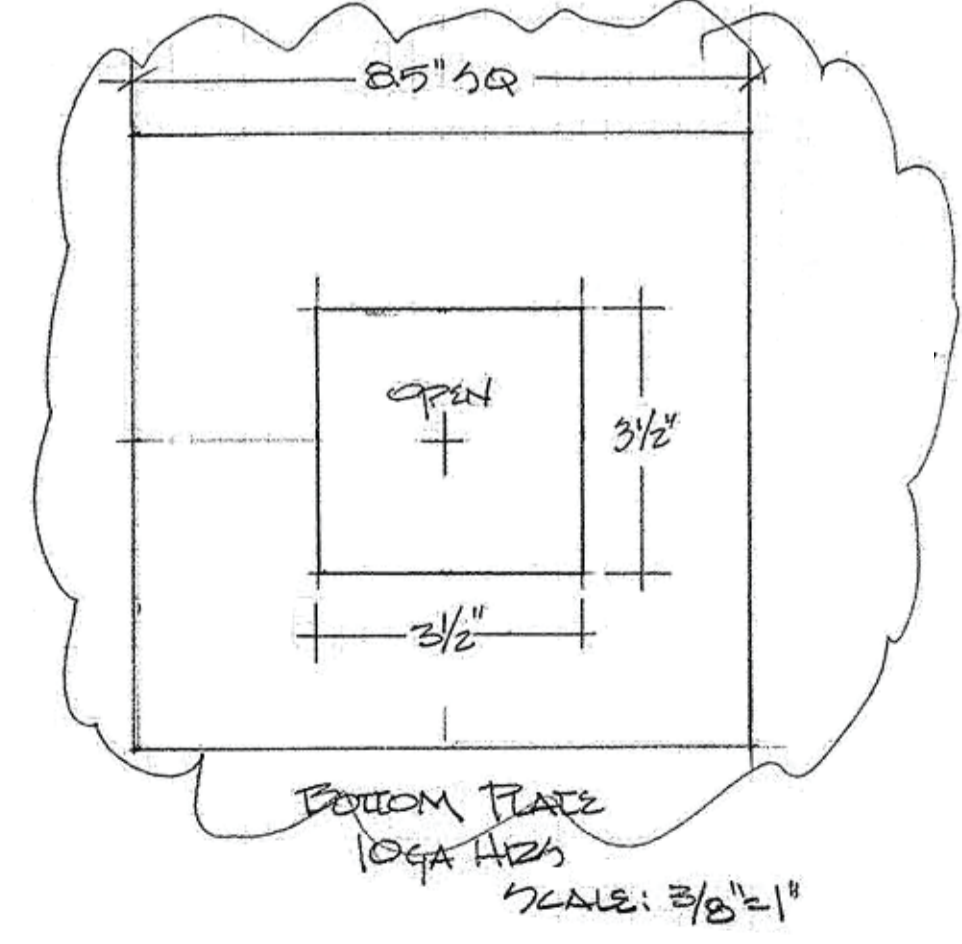
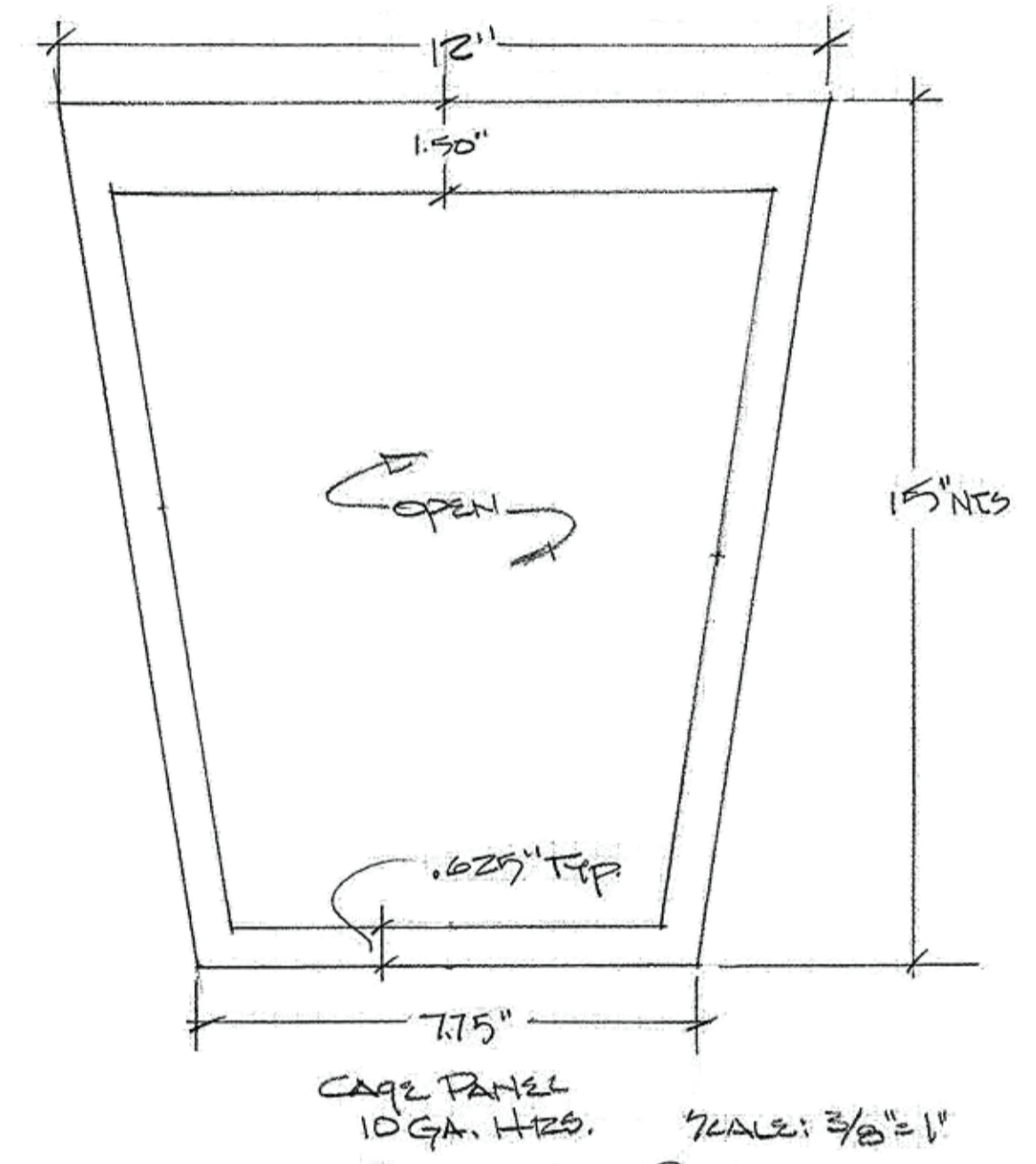
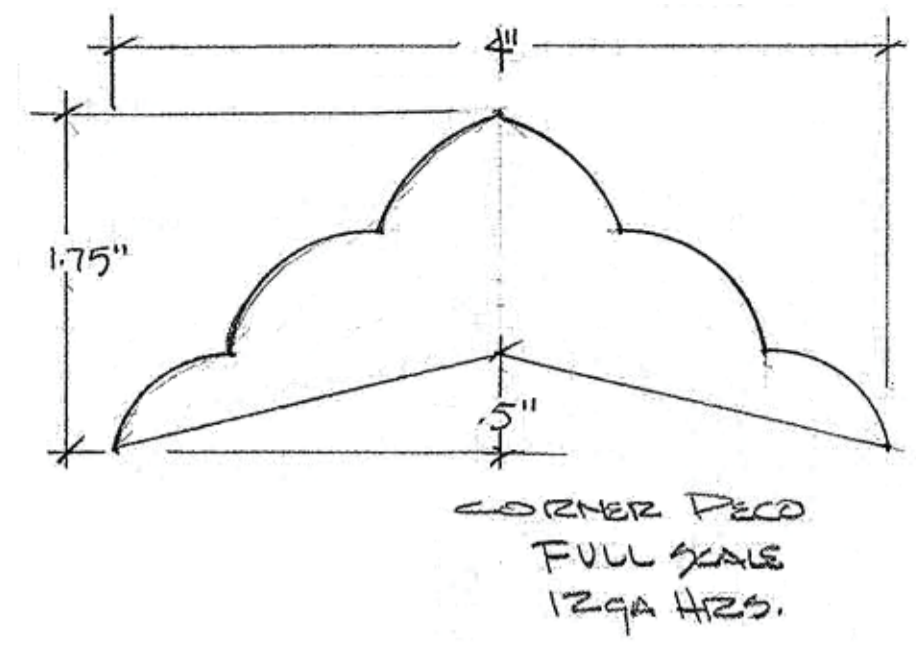
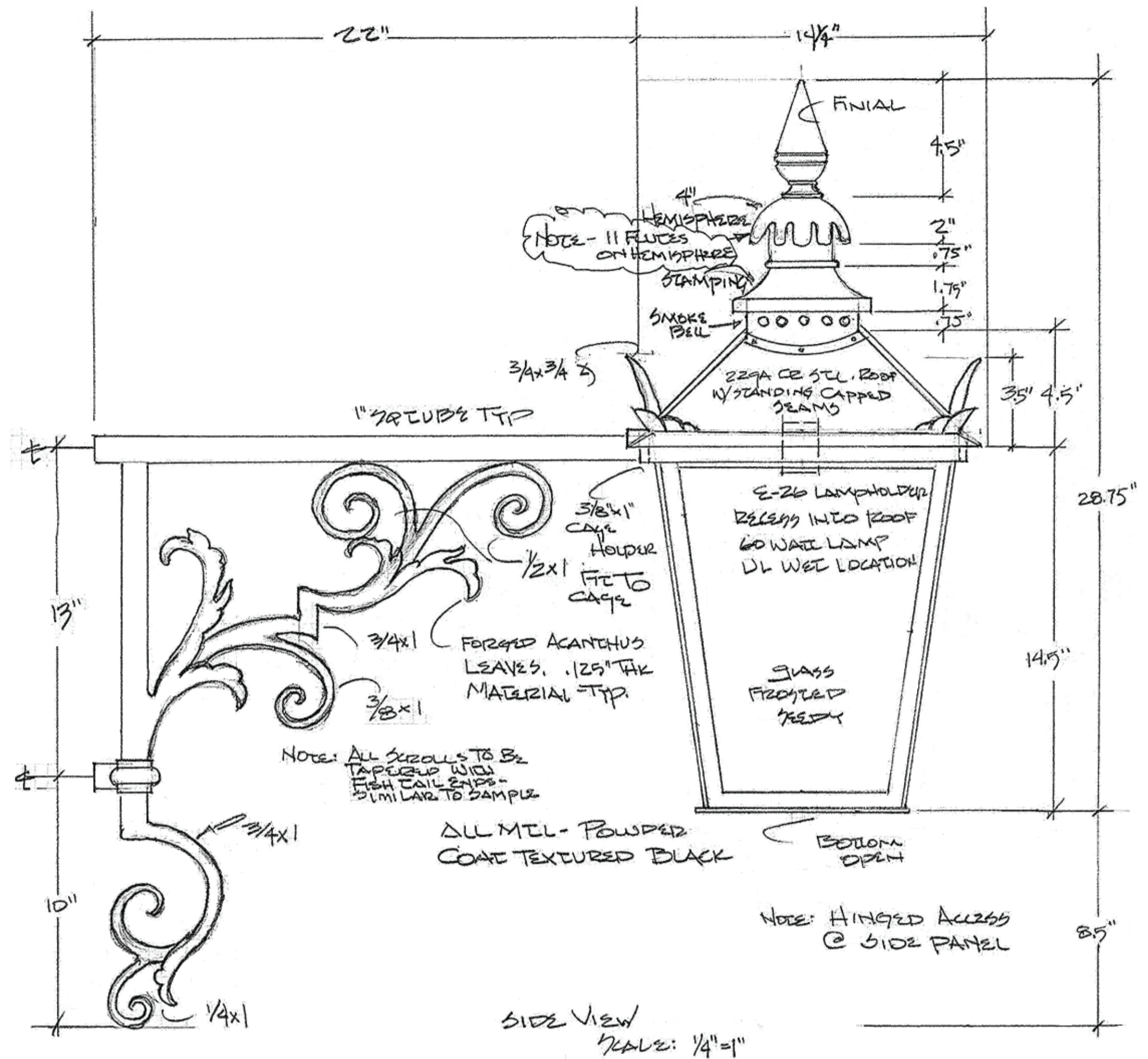
Note:

- All steel construction with hand forged acanthus leaves and scrolls.
- Wall anchorage by others.
- 25ft lead SOOW cord to be supplied at the end of fixture.
- (1) medium base socket.

GRAND LIGHT
 Historic Lighting Restoration & Custom Lighting
 104 Day St. Seymour, Ct 06483
 PH: 1-800-922-1469 Fax: 203-785-1184
 Web: LightRestoration.com

Project: Harvard Winthrop - Standish Hall
 Lamp: CF26W TTT Socket: Med S/O #: 71090
 Finish: Semi Gloss Black Ballast: N/A Glass: Frosted Seedy
 Voltage: 120v Circuits: 1 Type: Outdoor
QTY: 1 Vol: 2(Final) Date: 1/5/17 Type: EX-4R

Harvard Winthrop House - Standish Hall
Type EX-4R



- Note:
- All steel construction with hand forged acanthus leaves and scrolls.
 - Wall anchorage by others.
 - 25ft lead SOOW cord to be supplied at the end of fixture.
 - (1) medium base socket.

GRAND LIGHT
Historic Lighting Restoration & Custom Lighting
104 Day St. Seymour, Ct 06483
PH: 1-800-922-1469 Fax: 203-785-1184
Web: LightRestoration.com

Project: Harvard Winthrop - Standish Hall
Lamp: CF26W TTT Socket: Med S/O #: 71090
Finish: Semi Gloss Black Ballast: N/A Glass: Frosted Seedy
Voltage: 120v Circuits: 1 Type: Outdoor
QTY: 1 Vol: 2(Final) Date: 1/30/17 Type: EX-4R