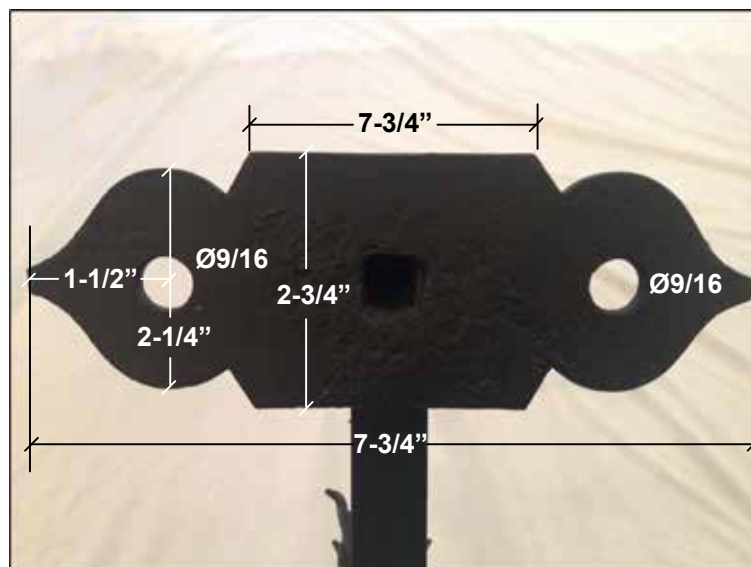


**WALL MOUNTING BRACKET**



**Harvard Winthrop House - Standish Hall  
Type XF-5**



**Note:**

- All steel construction with hand forged acanthus leaves and scrolls.
- Wall anchorage by others.
- 25ft lead SOOW cord to be supplied at the end of fixture.
- (1) medium base socket.

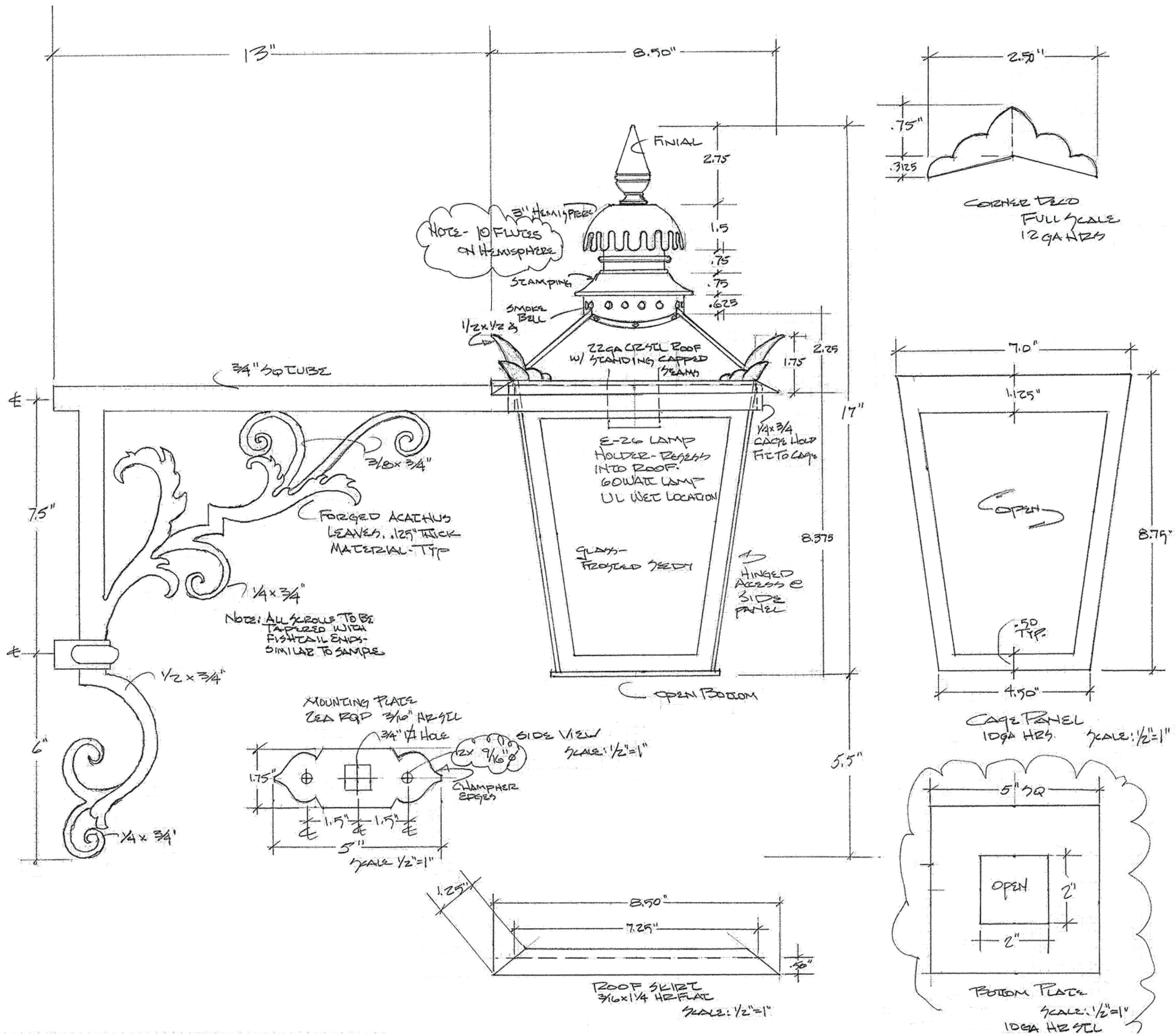
**GRAND LIGHT**  
 Historic Lighting Restoration & Custom Lighting  
 104 Day St. Seymour, Ct 06483  
 PH: 1-800-922-1469 Fax: 203-785-1184  
 Web: LightRestoration.com

**Project: Harvard Winthrop - Standish Hall**

Lamp: CF26W TTT	Socket: Med	S/O #: 71090
Finish: Semi Gloss Black	Ballast: N/A	Glass: Frosted Seedy
Voltage: 120v	Circuits: 1	Type: Outdoor

**QTY: 1 Vol: 2(Final) Date: 1/5/17 Type: XF-5**

Harvard Winthrop House - Standish Hall  
Type XF-5



- Note:
- All steel construction with hand forged acanthus leaves and scrolls.
  - Wall anchorage by others.
  - 25ft lead SOOW cord to be supplied at the end of fixture.
  - (1) medium base socket.

**GRAND LIGHT**  
Historic Lighting Restoration & Custom Lighting  
104 Day St. Seymour, Ct 06483  
PH: 1-800-922-1469 Fax: 203-785-1184  
Web: LightRestoration.com

Project: Harvard Winthrop - Standish Hall  
Lamp: CF26W TTT Socket: Med S/O #: 71090  
Finish: Semi Gloss Black Ballast: N/A Glass: Frosted Seedy  
Voltage: 120v Circuits: 1 Type: Outdoor  
QTY: 1 Vol: 2(Final) Date: 1/30/17 Type: XF-5